

[Dell Laser Printer 3000cn User's Guide](#)

[Finding Information](#)

[Dell Printer Configuration Web Tool](#)

[About Your Printer](#)

[Installing the Toner and Drum Cartridges](#)

[Connecting Your Printer](#)

[Installing the Optional Tray Module](#)

[Installing the Optional Duplex Module](#)

[Print Media Guidelines](#)

[Loading Print Media](#)

[Operator Panel](#)

[Printer Settings](#)

[Understanding Printer Menus](#)

[Understanding Your Printer Software](#)

[Printing](#)

[Setting Up for Shared Printing](#)

[Understanding Fonts](#)

[Understanding Printer Messages](#)

[Clearing Jams](#)

[Troubleshooting](#)

[Maintaining Your Printer](#)

[Removing Options](#)

[Printer Specifications](#)

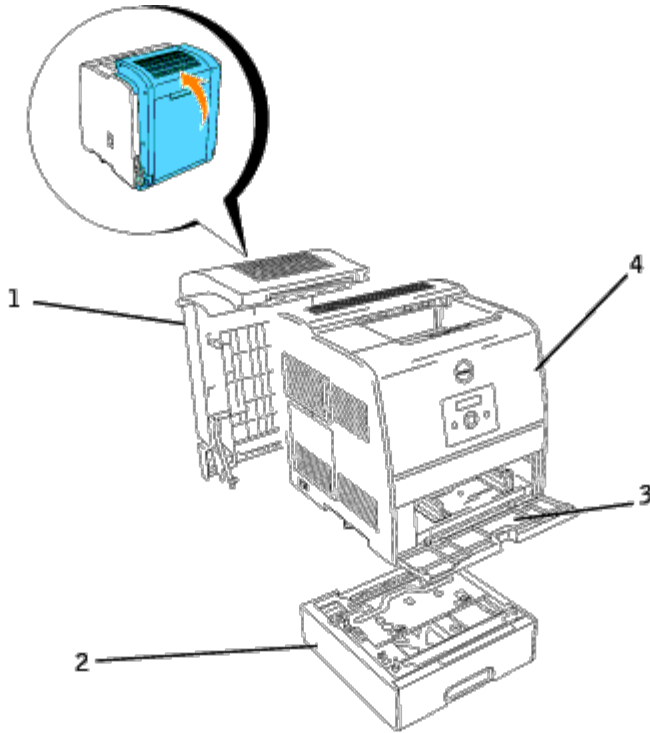
[Safety and Regulatory Information](#)

[Appendix](#)

# Dell Laser Printer 3000cn User's Guide

## [Notes, Notices, and Cautions](#)

Click the links to the left for information on the features, options, and operation of your printer. For information on other documentation included with your printer, see "[Finding Information](#)."



1	Optional duplex module
2	Optional 250-sheet tray module (A4/Letter cassette) Optional 250-sheet tray module (Legal cassette) Optional 500-sheet tray module <b>NOTE:</b> Your printer can be equipped with a maximum of two trays. You can install the optional 250-sheet tray module with the optional 250-sheet tray module or the optional 250-sheet tray module with the optional 500-sheet tray module.
3	Multipurpose feeder
4	Printer

To order replacement toner cartridges or supplies from Dell:

1. Double-click the icon on your desktop.



2. Visit Dell's website, or order Dell printer supplies by phone.

**[www.dell.com/supplies](http://www.dell.com/supplies)**

For best service, have your Dell printer Service Tag available.

For help locating your Service Tag number, see "[Express Service Code and Service Tag number.](#)"

---

## Notes, Notices, and Cautions



**NOTE:** A **NOTE** indicates important information that helps you make better use of your printer.



**NOTICE:** A **NOTICE** indicates either potential damage to hardware or loss of data and tells you how to avoid the problem.



**CAUTION:** A **CAUTION** indicates a potential for property damage, personal injury, or death.

**Information in this document is subject to change without notice.**

© 2005 Dell Inc.. All rights reserved.

Reproduction in any manner whatsoever without the written permission of Dell Inc. is strictly forbidden.

Trademarks used in this text: Dell and the DELL logo are trademarks of Dell Inc.; *Microsoft, Windows*, and are registered trademarks of Microsoft Corporation; ENERGY STAR is a registered trademark of the U.S. Environmental Protection Agency. As an ENERGY STAR Partner, Dell Inc. has determined that this product meets the ENERGY STAR guidelines for energy efficiency.

Other trademarks and trade names may be used in this document to refer to either the entities claiming the marks and names or their products. Dell Inc. disclaims any proprietary interest in trademarks and trade names other than its own.




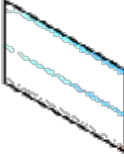
## UNITED STATES GOVERNMENT RESTRICTED RIGHTS

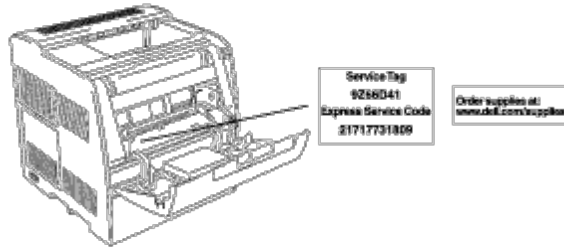
This software and documentation are provided with RESTRICTED RIGHTS. Use, duplication or disclosure by the Government is subject to restrictions as set forth in subparagraph (c)(1)(ii) of the Rights in Technical Data and Computer Software clause at DFARS 252.227-7013 and in applicable FAR provisions: Dell Inc., One Dell Way, Round Rock, Texas, 78682, USA.

This equipment has been tested and found to comply with the limits for a Class B digital device, pursuant to Part 15 of the FCC rules.

March 2005 Rev. A01

# Finding Information

What are you looking for?	Find it here
<ul style="list-style-type: none"><li>· Drivers for my printer</li><li>· My <i>User's Guide</i></li></ul>	<p><i>Drivers and Utilities CD</i></p>  <p>The <i>Drivers and Utilities CD</i> contains documentation and drivers for your printer. You can use the CD to uninstall/reinstall drivers or access your documentation.</p> <p>Readme files may be included on your CD to provide last-minute updates about technical changes to your printer or advanced technical reference material for experienced users or technicians.</p>
<ul style="list-style-type: none"><li>· Safety information</li><li>· How to use my printer</li><li>· Warranty information</li></ul>	<p><i>Owner's Manual</i></p>  <p> <b>CAUTION:</b> Read and follow all safety instructions in your <i>Owner's Manual</i> prior to setting up and operating your printer.</p>
How to set up my printer	<p><i>Setup diagram</i></p> 
Troubleshooting Guide	<p><a href="#">Troubleshooting Guide</a></p> <ul style="list-style-type: none"><li>- <a href="#">User Settings</a></li><li>- <a href="#">Configuration</a></li><li>- <a href="#">Trouble Shooting Instructions</a></li><li>- <a href="#">Others</a></li></ul>
Express Service Code and Service Tag number	Express Service Code and Service Tag number.



The Express Service Code and Service Tag numbers are located inside the front door of your printer.

- Latest drivers for my printer
- Answers to technical service and support questions
- Documentation for my printer

#### Dell Support Website

The Dell Support Website provides several online tools, including:

- Solutions — Troubleshooting hints and tips, articles from technicians, and online courses
- Upgrades — Upgrade information for components, such as memory
- Customer Care — Contact information, order status, warranty, and repair information
- Downloads — Drivers
- Reference — Printer documentation and product specifications

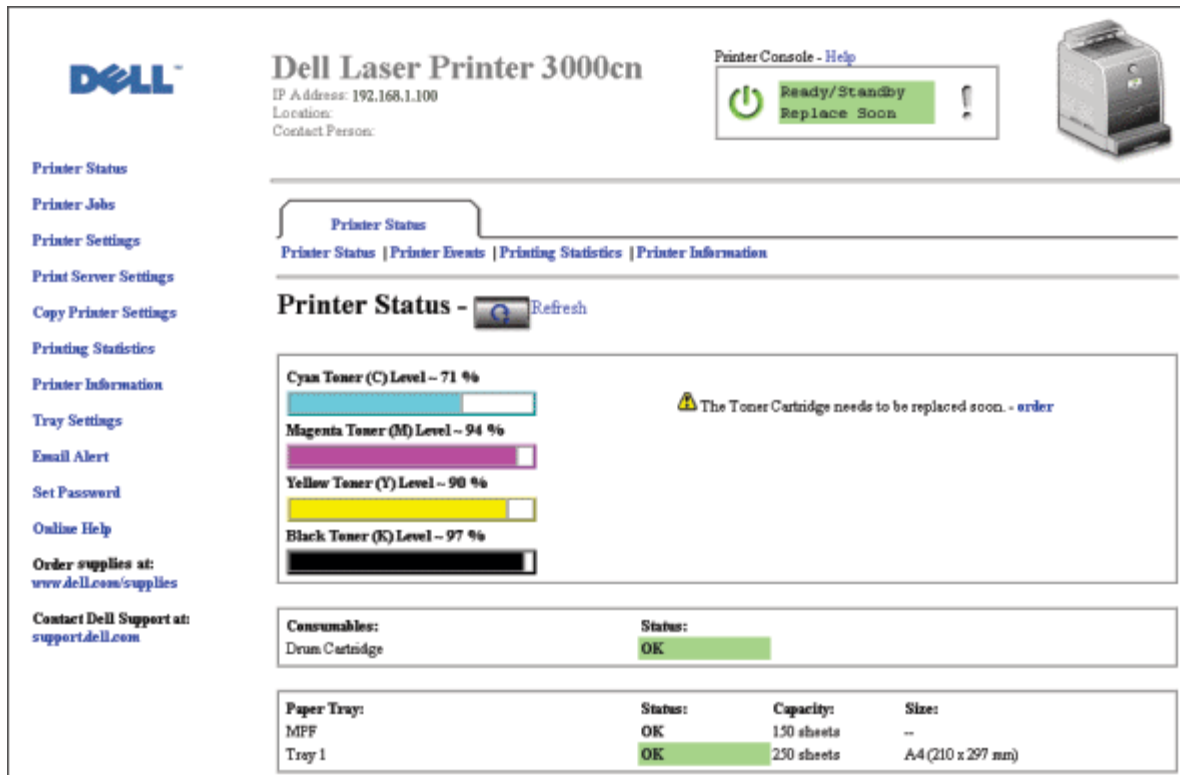
You can access Dell Support at [support.dell.com](http://support.dell.com). Select your region on the WELCOME TO DELL SUPPORT page, and fill in the requested details to access help tools and information.

# Dell Printer Configuration Web Tool

## Using the Dell Printer Configuration Web Tool

One of the features of the **Dell Printer Configuration Web Tool** is the E-Mail Alert Setup, which sends you, or the key operator, an email when the printer needs supplies or intervention.

If you fill out printer inventory reports requiring the asset tag number of all of the printers in your area, use the Printer Information feature in the **Dell Printer Configuration Web Tool**. Just type the IP address of each printer on the network to display the asset tag number.



The screenshot displays the Dell Laser Printer 3000cn web interface. At the top, it shows the printer's IP address (192.168.1.100), location, and contact person. A status box indicates the printer is 'Ready/Standby' but has a 'Replace Soon' warning. The main section, 'Printer Status', includes a 'Refresh' button and a toner level chart for Cyan (71%), Magenta (94%), Yellow (90%), and Black (97%). A warning icon states 'The Toner Cartridge needs to be replaced soon. - order'. Below this, a 'Consumables' table shows the Drum Cartridge status as 'OK'. At the bottom, a 'Paper Tray' table lists the MPF and Tray 1 status as 'OK', with capacities of 150 and 250 sheets respectively, and a size of A4 (210 x 297 mm).

Consumables:	Status:
Drum Cartridge	OK

Paper Tray:	Status:	Capacity:	Size:
MPF	OK	150 sheets	--
Tray 1	OK	250 sheets	A4 (210 x 297 mm)

The **Dell Printer Configuration Web Tool** feature also lets you change printer settings and keep track of printing trends. If you are a network administrator, you can easily copy the printer's settings to one or all printers on the network – right from your Web browser.

To launch the **Dell Printer Configuration Web Tool**, just type your network printer's IP address in your Web browser.

If you do not know what your printer's IP address is, print a Printer Settings page, which lists the IP address:

1. Press **Menu**.
2. Press **▼** until Configure appears, and then press **▶** or **⏴**.
3. Press **▼** until Reports appears, and then press **▶** or **⏴**.
4. Printer Settings is displayed. Press **⏴**.

The Printer Settings page is printed.

If the IP address shows 0.0.0.0 (the factory default), an IP address has not been assigned. To assign one for your printer, see "[Assign an IP Address.](#)"

Use the **Dell Printer Configuration Web Tool** for:

## Printer Status

Get immediate feedback on printer supply status. When toner is running low, click the **Order Supplies at** link in the lower left area of the first screen to order additional toner cartridges.

## Printer Jobs

The **Printer Jobs** menu contains information on **Job List** page and **Completed Jobs** page. These pages show the details of the status regarding each protocol or the print jobs.

## Printer Settings

Change printer settings, view the operator panel remotely.

## Print Server Settings

Use the **Print Server Settings** menu to set the type of printer interface and necessary conditions for communications.

## Copy Printer Settings

Quickly copy the printer's settings to another printer or printers on the network just by typing each printer's IP address.

 **NOTE:** You must be a network administrator to use this feature.

## Print Volume

Keep track of printing trends, such as paper usage and types of jobs being printed.

## Printer Information

Get the information you need for service calls, inventory reports, or the status of current memory and engine code levels.

## Tray Settings

Get the information about the paper type and size for each tray.

## E-Mail Alert

Receive an email when the printer needs supplies or intervention. Type your name or the key operator's name in the email list box to be notified.

## Set Password



Lock the operator panel with a password so that other users don't inadvertently change the printer settings you selected.

 **NOTE:** You must be a network administrator to use this feature.

## Online Help

Click **Help** to visit the *User's Guide* on the Dell website to verify configured settings.

## Order Supplies at:

[www.dell.com/supplies](http://www.dell.com/supplies)

## Contact Dell Support at:

[support.dell.com](http://support.dell.com)

---

# Using the Dell Printer Configuration Web Tool

## Environment Settings for Web Browser

Dell recommends configuring the environment settings for your Web browser, before using the **Dell Printer Configuration Web Tool**, for the following reasons.

### For Netscape Communicator 7.1

#### Setting Up the Display Language

1. Select **Preferences** from **Edit** on the menu bar.
2. Select **Languages** under the **Navigator** group.
3. Specify the display language in order of preference in the **Language in order of preference** list.

For example:

**English [en]** or **English/United States [en-us]**  
**German [de]**  
**French [fr]**  
**Italian [it]**  
**Spanish [es]**

#### Setting the Printer's IP Address to Non-proxy

1. Select **Preferences** from **Edit** on the menu bar.
2. Select **Proxies** under **Advanced** of the **Navigator** group.
3. Select either **Direct connection to the Internet** or **Manual proxy configuration**.  
When you select **Manual proxy configuration**, specify the printer's IP address in the **No Proxy for:** box.

When you have finished setting the language and proxy, type `http://nnn.nnn.nnn.nnn/` (the printer's IP address) in the URL

entry field of the browser to activate the **Dell Printer Configuration Web Tool**.

## For Internet Explorer 6.0

### Setting Up the Display Language

1. Select **Internet Options** from **Tools** on the menu bar.
2. Select **Languages** in the **General** tab.
3. Specify the display language in order of preference in the **Language in order of preference** list.

For example:

**Italian (Italy) [it]**

**Spanish (Traditional Sort) [es]**

**German (Germany) [de]**

**French (France) [fr]**

**English [en] or English (United States) [en-us]**

### Setting the Printer's IP Address to Non-proxy

1. Select **Internet Options** from **Tools** on the menu bar.
2. Select **Proxy server** under **LAN Settings** in the **Connections** tab.
3. Do either of the following.
  - Clear the **Direct connection to the Internet** check box.
  - Click **Advanced**, and then specify the printer's IP address in the **Do not use proxy server for addresses beginning with** field under **Exceptions**.

When you have finished setting the language and proxy, type `http://nnn.nnn.nnn.nnn/` (the printer's IP address) in the URL entry field of the browser to activate the **Dell Printer Configuration Web Tool**. For information on the printer's IP address, see "[Print and Check the Printer Settings Page](#)."

## Page Display Format

The layout of the page is divided into three sections.

### Top Frame

Located at the top of all pages is the Top Frame. When **Dell Printer Configuration Web Tool** is activated, the current status and specifications of the printer are displayed in the Top Frame on every page.

The following items are displayed in the Top Frame.

<b>Dell Laser Printer 3000cn</b>	Displays the printer product name.
<b>IP Address:</b>	Displays the printer's IP address.
<b>Location:</b>	Displays the printer's location. The location can be changed in <b>Basic Information</b> on the <b>Print Server Settings</b> page.

<b>Contact Person:</b>	Displays the printer's administrator's name. The name can be changed in the <b>Basic Information</b> on the <b>Print Server Settings</b> page.
<b>Printer Console</b>	Displays the status of the printer operator panel display and indicators. This is automatically refreshed at the set interval. The interval can be changed in the <b>Basic Information</b> on <b>Print Server Settings</b> page.
<b>Help</b>	Links to the <i>User's Guide</i> on the Dell web page.
<b>Printer Bitmap</b>	Shows the printer bitmap. The <b>Printer Status</b> menu appears in the Right Frame by clicking this image.

## Left Frame

Located at the left side of all pages is the Left Frame. The titles of menus displayed in the Left Frame are linked to corresponding menus and pages. You can go to the corresponding page by clicking their characters.

The following menus are displayed in the Left Frame.

<b>Printer Status</b>	Links to the <b>Printer Status</b> menu.
<b>Printer Jobs</b>	Links to the <b>Printer Jobs</b> menu.
<b>Printer Settings</b>	Links to the <b>Printer Settings Report</b> menu.
<b>Print Server Settings</b>	Links to the <b>Print Server Reports</b> menu.
<b>Copy Printer Settings</b>	Links to the <b>Copy Printer Settings</b> page.
<b>Print Volume</b>	Links to the <b>Print Volume</b> page.
<b>Printer Information</b>	Links to the <b>Printer Information</b> page.
<b>Tray Settings</b>	Links to the <b>Tray Settings</b> page.
<b>E-Mail Alert</b>	Links to the <b>E-Mail Alert</b> page.
<b>Set Password</b>	Links to the <b>Set Password</b> page.
<b>Online Help</b>	Links to the <i>User's Guide</i> on the Dell web page.
<b>Order Supplies at:</b>	Links to the Dell web page. Web address: <b>www.dell.com/supplies</b>
<b>Contact Dell Support at:</b>	Links to the Dell support page. Web address: <b>support.dell.com</b>

## Right Frame

Located at the right side of all pages is the Right Frame. The contents of the Right Frame correspond to the menu that you select in the Left Frame. For details on the items displayed in the Right Frame, see "[Details of Menu Items](#)."

### Buttons on the Right Frame

#### Refresh Button

Receives the current printer configuration and updates the latest information in the Right Frame.

## Apply New Settings Button

Submits new settings made on the **Dell Printer Configuration Web Tool** to the printer. The old printer settings will be replaced by the new settings.

## Restart printer to apply new settings. Button

Submits new settings made on the **Dell Printer Configuration Web Tool** to the printer and reboots the printer. The old printer settings will be replaced by the new settings.

## Restore Settings Button

Restores the old settings from before changes made. New settings will not be submitted to the printer.

## Changing the Settings of Menu Items

Some menus allow you to change the printer settings through the **Dell Printer Configuration Web Tool**. When you are accessing these menus, the authentication dialog appears on the screen. Type a user name and password for the printer's administrator by following the prompts displayed in the dialog box.

The default user name is **admin**, and the default password is **password**. You can change only the password in the **Set Password** page in the **Print Server Settings** menu. The user name cannot be changed. See "[Set Password](#)" for more information.

## Details of Menu Items

" <a href="#">Printer Status</a> "		" <a href="#">Printer Status</a> "
		" <a href="#">Printer Events</a> "
		" <a href="#">Print Volume</a> "
		" <a href="#">Printer Information</a> "
" <a href="#">Printer Jobs</a> "		" <a href="#">Job List</a> "
		" <a href="#">Completed Jobs</a> "
" <a href="#">Printer Settings</a> "	" <a href="#">Printer Settings Report</a> "	" <a href="#">Menu Settings</a> "
		" <a href="#">Reports</a> "
	" <a href="#">Printer Settings</a> "	" <a href="#">Basic Settings</a> "
		" <a href="#">Parallel Settings</a> "
		" <a href="#">PCL Settings</a> "
		" <a href="#">Security Settings</a> "
	" <a href="#">Printer Maintenance</a> "	" <a href="#">Paper Density Settings</a> "
		" <a href="#">BTR Adjustments</a> "
		" <a href="#">Init NVRAM</a> "
		" <a href="#">Clear Storage</a> "*

		" <a href="#">Non-Dell Toner</a> "
" <a href="#">Print Server Settings</a> "	" <a href="#">Print Server Reports</a> "	" <a href="#">Print Server Setup Page</a> "
		" <a href="#">E-Mail Alert Setup Page</a> "
	" <a href="#">Print Server Settings</a> "	" <a href="#">Basic Information</a> "
		" <a href="#">Port Settings</a> "
		" <a href="#">TCP/IP</a> "
		" <a href="#">E-Mail Alert</a> "
		" <a href="#">SNMP</a> "
	" <a href="#">Other Features</a> "	" <a href="#">Set Password</a> "
		" <a href="#">Reset Print Server</a> "
	" <a href="#">Copy Printer Settings</a> "	
		" <a href="#">Copy Printer Settings Report</a> "
" <a href="#">Tray Settings</a> "		

\* This item is only available when the optional memory card is installed.

## Printer Status

Use the **Printer Status** menu to check the status of consumables, hardware, and specifications of the printer.

The following pages are displayed in the **Printer Status** menu.

### Printer Status

#### Purpose:

To check the status of remaining consumables and trays.

#### Values:

<b>Toner Level</b>			Displays the percent of toner remaining. When the printer runs out of toner, the message appears. The text <i>Order Toner</i> is linked to the Dell Printer Supplies website.
<b>Consumables</b>	<b>Status</b>	<b>OK</b>	Indicates that consumables are available.
		<b>Empty</b>	Indicates that consumables are used up.
<b>Paper Trays</b>	<b>Status</b>	<b>OK</b>	Indicates that there is some paper in the tray but the quantity is unknown.
		<b>Add Paper</b>	Indicates that there is no paper in the tray.
	<b>Capacity</b>		Displays the maximum capacity status of the paper tray.
	<b>Size</b>		Displays the size of paper in the tray.

<b>Output Tray</b>	<b>Status</b>	<b>OK</b>	Indicates that the tray is available.
		<b>Full</b>	Indicates that the tray is not available.
	<b>Capacity</b>		Displays the maximum capacity status of the paper tray.
<b>Covers</b>	<b>Status</b>	<b>Closed</b>	Indicates that the cover is closed.
		<b>Open</b>	Indicates that the cover is open.
<b>Printer Type</b>			Displays the type of printing for your printer. <b>Color Laser</b> is displayed normally.
<b>Printing Speed</b>			Displays the printing speed for your printer.

## Printer Events

### Purpose:

When printer faults occur such as *running out of paper* or *running out of toner*, the details of all alerts or indications of faults are displayed in the **Printer Events** page.

### Values:

<b>Location</b>	Displays the location where the printer fault occurred.
<b>Details</b>	Displays the details of the printer fault.

## Print Volume

### Purpose:

To verify the number of printed pages. This page can also be displayed by clicking **Print Volume** in the Left Frame.

### Values:

<b>Printer Page Count</b>	Displays the total number of pages printed since the printer was shipped from the factory.
<b>Paper Used</b>	Displays the number of pages for each paper size.

## Printer Information

### Purpose:

To verify the printer details such as hardware configuration and software version. This page can also be displayed by clicking **Printer Information** in the Left Frame.

### Values:

<b>Dell Service Tag Number</b>	Displays Dell's service tag number.
<b>Asset Tag Number</b>	Displays the printer's asset tag number.

<b>Printer Serial Number</b>	Displays the printer's serial number.	
<b>Memory Capacity</b>	Displays the memory capacity.	
<b>Processor Speed</b>	Displays the processing speed.	
<b>Printer Revision Levels</b>	<b>Firmware Version</b>	Displays the revision date (revision level).
	<b>Network Firmware Version</b>	Displays the revision date (revision level).

## Printer Jobs

The **Printer Jobs** menu contains information on **Job List** page and **Completed Jobs** page. These pages show the details of the status regarding each protocol or the print jobs.

### Job List

#### Purpose:

To confirm the print jobs that are being processed.

To update the screen, click the **Refresh** button.

#### Values:

<b>ID</b>	Displays the job id.
<b>Job Name</b>	Displays the file name of the job being printed.
<b>Owner</b>	Displays the job owner's name.
<b>Host Name</b>	Displays the name of the host computer.
<b>Job Status</b>	Displays the status of the job being printed.
<b>Host I/F</b>	Displays the status of the host interface.
<b>Job Submitted Time</b>	Displays the date the print job was submitted.

### Completed Jobs

#### Purpose:

To check the completed print jobs.

To update the screen, click the **Refresh** button.

#### Values:

<b>ID</b>	Displays the job id.
<b>Job Name</b>	Displays the file name of the completed print job.
<b>Owner</b>	Displays the job owner's name.

<b>Host Name</b>	Displays the name of the host computer.
<b>Output Result</b>	Displays the status of completed print jobs.
<b>Impression Number</b>	Displays the impression number.
<b>No. of Sheets</b>	Displays the number of pages in the job.
<b>Host I/F</b>	Displays the status of the host interface.
<b>Job Submitted Time</b>	Displays the date the print job was submitted.

## Printer Settings

Use the **Printer Settings** menu to display the printer settings report and to configure printer settings.

The following tabbed pages are displayed at the top of the Right Frame.

### Printer Settings Report

The **Printer Settings Report** tab includes the **Menu Settings** page.

#### Menu Settings

##### Purpose:

To display the current settings of the operator panel menus.

##### Values:

<b>Basic Settings</b>	<b>Power Saver Time</b>	Displays the amount of time before the printer enters power saver mode after it finishes a print job.
	<b>Error Alarm</b>	Displays whether the printer sounds an alarm when an error occurs.
	<b>Job Timeout</b>	Displays specify the amount of time the printer waits to receive additional bytes of data from the computer.
	<b>Panel Language</b>	Displays the language of the text on the operator panel screen.
	<b>Auto Log Print</b>	Displays whether the printer outputs logs automatically.
	<b>ID Print</b>	Displays a location where the user ID is printed.
	<b>Text Print</b>	Displays whether the printer outputs PDL data, which is not supported by the printer, as text when the printer receives it.
	<b>Banner Sheet Position</b>	Displays the position of banner sheet.
	<b>Banner Sheet Input Tray</b>	Displays the tray in which the banner sheet is loaded.
	<b>RAM Disk</b>	Displays whether to allocate memory to the RAM Disk file system for the Secure Print and Proof Print features.



		This item is only available when the optional memory card is installed.
	<b>Substitute Tray</b>	Displays whether or not to use another size paper when the paper that is loaded in the specified tray does not match the paper size settings for the current job.
<b>Parallel Settings</b>	<b>ECP</b>	Displays the ECP communication mode of the parallel interface.
<b>PCL Settings</b>	<b>Input Tray</b>	Displays the input tray.
	<b>Paper Size</b>	Displays the default paper size.
	<b>Orientation</b>	Displays how text and graphics are oriented on the page.
	<b>Duplex Print</b>	Displays whether to do duplexing as the default for all print jobs. This item is only available when the optional duplex module is installed.
	<b>Font</b>	Displays the default font from the registered fonts in the printer.
	<b>Symbol Set</b>	Displays a symbol set for a specified font.
	<b>Font Size</b>	Displays the font size for scalable typographic fonts.
	<b>Font Pitch</b>	Displays the font pitch for scalable monospaced fonts.
	<b>Form Line</b>	Displays the number of characters in a line.
	<b>Quantity</b>	Displays the number of copies you want for the printer default value.
	<b>Image Enhancement</b>	Displays whether to perform the image enhancement feature.
	<b>Hex Dump</b>	Displays whether the Hex Dump feature is on or off.
	<b>Draft Mode</b>	Displays whether to print in the draft mode.
	<b>Line Termination</b>	Displays whether to set the line termination.
	<b>Color Mode</b>	Displays the color mode setting.
<b>Security Settings</b>		Displays whether the panel is locked by a password.
<b>Paper Density Settings</b>	<b>Plain 1</b>	Displays the paper density for the plain paper.
	<b>Label</b>	Displays the paper density for the label.
<b>BTR Adjustments</b>	<b>Plain 1</b>	Displays the voltage of the second Bias Transfer Roll (BTR) unit for plain paper 1.
	<b>Plain 2</b>	Displays the voltage of the second BTR unit for plain paper 2.
	<b>Transparency</b>	Displays the voltage of the second BTR unit for transparencies.
	<b>Covers 1</b>	Displays the voltage of the second BTR unit for covers 1.
	<b>Covers 2</b>	Displays the voltage of the second BTR unit for covers 2.
	<b>Label</b>	Displays the voltage of the second BTR unit for labels.
	<b>Coated 1</b>	Displays the voltage of the second BTR unit for coated paper 1.
	<b>Coated 2</b>	Displays the voltage of the second BTR unit for coated paper 2.
	<b>Envelope</b>	Displays the voltage of the second BTR unit for envelopes.
<b>Non-Dell Toner</b>	<b>Non-Dell Toner</b>	Displays whether to use a refilled toner cartridge.

<b>Tray Settings</b>	<b>Tray 1 Paper Type</b>	Displays the type of paper loaded in the optional 250-sheet tray module.
	<b>Tray 1 Paper Size</b>	Displays the size of paper loaded in the optional 250-sheet tray module.
	<b>Tray 2 Paper Type</b>	Displays the type of paper loaded in the optional 250-sheet tray or 500-sheet tray module.
	<b>Tray 2 Paper Size</b>	Displays the size of paper loaded in the optional 250-sheet tray or 500-sheet tray module.
	<b>MPF Paper Type</b>	Displays the type of paper loaded in the multipurpose feeder.
	<b>MPF Paper Size</b>	Displays the size of paper loaded in the multipurpose feeder.

## Reports

### Purpose:

To print various types of reports and lists.

### Values:

<b>Printer Settings</b>	Click <b>Start</b> button to print the Printer Settings page.
<b>Panel Settings</b>	Click <b>Start</b> button to print the Panel Settings page.
<b>PCL Fonts List</b>	Click <b>Start</b> button to print the PCL Fonts List.
<b>Job History</b>	Click <b>Start</b> button to print the Job History page.
<b>Error Log</b>	Click <b>Start</b> button to print the Error Log page.
<b>Stored Documents</b>	Click <b>Start</b> button to print the Documents page. This item is only available when the optional memory card is installed. RAM Disk ON.

## Printer Settings

The **Printer Settings** tab includes **Basic Settings**, **Parallel Settings**, **PCL Settings**, and **Security Settings** pages.

### Basic Settings

#### Purpose:

To configure the basic printer settings.

#### Values:

<b>Power Saver Time</b>	Sets the amount of time the printer waits after a job is printed before it goes into the power saver mode.
<b>Error Alarm</b>	Specifies whether the printer sounds an alarm when an error occurs.

<b>Job Timeout</b>	Specifies the amount of time the printer waits to receive additional bytes of data from the computer. When this timeout expires, the print job is canceled.
<b>Panel Language</b>	Determine the language of the text on the operator panel screen.
<b>Auto Log Print</b>	Specifies whether the printer outputs logs automatically.
<b>ID Print</b>	Specifies a location where the user ID is printed.
<b>Text Print</b>	Specifies whether the printer outputs PDL data, which is not supported by the printer, as text when the printer receives it.
<b>Banner Sheet Position</b>	Specifies the position of banner sheet.
<b>Banner Sheet Input Tray</b>	Specifies the tray in which the banner sheet is loaded.
<b>RAM Disk</b>	Specifies whether to allocate memory to the RAM Disk file system for the Secure Print and Store Print features. This item is only available when the optional memory card is installed.
<b>Substitute Tray</b>	Specifies whether or not to use another size paper when the paper that is loaded in the specified tray does not match the paper size settings for the current job.

## Parallel Settings

### Purpose:

To configure the parallel interface.

### Values:

<b>ECP</b>	Specifies the ECP communication mode of the parallel interface.
------------	---

## PCL Settings

### Purpose:

To change printer settings that only affect jobs using the PCL emulation printer language.

### Values:

<b>Input Tray</b>	Specifies the input tray.
<b>Paper Size</b>	Specifies the default paper size.
<b>Orientation</b>	Specifies how text and graphics are oriented on the page.
<b>Duplex Print</b>	Sets duplexing as the default for all print jobs. This item is only available when the optional duplex module is installed.
<b>Font</b>	Specifies the default font from the registered fonts in the printer.
<b>Symbol Set</b>	Specifies a symbol set for a specified font.
<b>Font Size</b>	Specifies the font size for scalable typographic fonts.

<b>Font Pitch</b>	Specifies the font pitch for scalable monospaced fonts.
<b>Form Line</b>	Specifies the number of characters in a line.
<b>Quantity</b>	Sets the number of copies you want for the printer default value.
<b>Image Enhancement</b>	Specifies whether to perform the image enhancement feature.
<b>Hex Dump</b>	Specifies whether to help isolate the source of a print job problem. With Hex Dump selected, all data sent to the printer is printed in hexadecimal and character representation. Control codes are not executed.
<b>Draft Mode</b>	Specifies whether to print in the draft mode.
<b>Line Termination</b>	Sets the line termination.
<b>Color Mode</b>	Specifies the color mode to <b>Color</b> or <b>Black</b> . This setting is used when the color printing mode setting is not specified for the print job that is sent to the printer.

## Security Settings


### Purpose:

To set or change the password to limit access to the menus from the operator panel.

Set the password of the **Dell Printer Configuration Web Tool** from **Set Password** in **Print Server Settings**.

### Values:

<b>Panel Lock</b>	Specifies whether to limit access to the menus.
<b>Change Password</b>	Sets a password to limit access to the menus.
<b>Re-enter Password</b>	Type the new password again to confirm.

 **NOTE:** This menu sets a password to lock the operator panel. When changing the password for the **Dell Printer Configuration Web Tool**, click **Set Password** on the left frame and set the password.

## Printer Maintenance

**Printer Maintenance** tab includes **Paper Density Settings**, **BTR Adjustments**, **Registration Adjustments**, **Init NVRAM**, **Clear Storage**, and **Custom Toner** pages.

### Paper Density Settings

#### Purpose:

To specify the paper density.

#### Values:

<b>Plain 1</b>	<b>Light</b>
	<b>Normal</b>

Label	Label 1
	Label 2

## BTR Adjustments

### Purpose:

To specify the value of the reference voltage for the transfer roller.

### Values:

<b>Plain 1</b>	Sets the value of the reference voltage to the transfer roller for Plain 1.
<b>Plain 2</b>	Sets the value of the reference voltage to the transfer roller for Plain 2.
<b>Transparency</b>	Sets the value of the reference voltage to the transfer roller for Transparency.
<b>Covers 1</b>	Sets the value of the reference voltage to the transfer roller for Covers 1.
<b>Covers 2</b>	Sets the value of the reference voltage to the transfer roller for Covers 2.
<b>Label</b>	Sets the value of the reference voltage to the transfer roller for Label.
<b>Coated 1</b>	Sets the value of the reference voltage to the transfer roller for Coated 1.
<b>Coated 2</b>	Sets the value of the reference voltage to the transfer roller for Coated 2.
<b>Envelope</b>	Sets the value of the reference voltage to the transfer roller for Envelopes.

## Init NVRAM

### Purpose:

To initialize the NV (non-volatile) memory. After executing this function and rebooting the printer, all the menu parameters are reset to their default values.

The NVRAM for the network feature cannot be initialized.

### Values:

<b>Initialize NVRAM and restart printer.</b>	Click <b>Start</b> to initialize the NVRAM.
--	---

## Clear Storage

### Purpose:

To clear all files that are stored as Secure and Proof Print in the RAM Disk. This item is only available when the optional memory card is installed. RAM Disk ON.

### Values:

<b>Clear Storage</b>	Click <b>Start</b> to clear all files stored in the RAM Disk.
----------------------	---

## Non-Dell Toner

### Purpose:

Specifies whether to use the refilled toner cartridge or not. When this setting is on, you can use toner cartridges provided by other companies.

### Values:

<b>Non-Dell Toner</b>	Overrides factory toner cartridge setting. Non-Dell-brand toner cartridges may disable some printer features, reduce print quality and reduce the reliability of your printer. Dell recommends only new Dell-brand toner cartridges for your printer. Dell does not provide warranty coverage for problems caused by using accessories, parts, or components not supplied by Dell.
-----------------------	---

## Copy Printer Settings

The **Copy Printer Settings** menu includes the **Copy Printer Settings** and **Copy Printer Settings Report** pages.

### Copy Printer Settings

#### Purpose:

To copy the printer settings to one or more of the same model of printer.

To copy the settings to another printer, specify the IP address and password of the printer to which the settings are copied in the **IP Address** text box and **Password** text box. When you leave the **Password** text box blank, your own password is submitted. Then, click the **Copy the settings to the Host in the above list.** button. Copying the settings is complete. The connection time-out period is 60 seconds. After that, you can check whether settings were copied or not on this page. And you need to check the **Copy the settings to the Host in the above list and reboot the machine.** menu of the **Dell Printer Configuration Web Tool** in the destination printer to verify if settings were actually copied or not.

If the settings can be copied but printer configuration is different, the settings of only the same items are copied. Printer settings are simultaneously copied to printers of up to 10 IP addresses.

### Copy Printer Settings Report

#### Purpose:

To verify the histories of copying after turning on the printer.

## Print Server Settings

Use the **Print Server Settings** menu to set the type of printer interface and necessary conditions for communications.

The following tabbed pages are displayed in the top of the Right Frame.

### Print Server Reports

The **Print Server Reports** tab includes **Print Server Setup Page**, and **E-Mail Alert Setup Page**.

## Print Server Setup Page

### Purpose:

To verify the current settings of TCP/IP protocol and printing ports. On this page, you can only verify the settings of items. If you want to change the settings, go to the pages in the **Print Server Settings** tab.

### Values:

Ethernet	<b>Ethernet Settings</b>	Displays the current settings of Ethernet transmission rate and the duplex settings.
	<b>Current Ethernet Settings</b>	Displays the current Ethernet settings.
	<b>MAC Address</b>	Displays the printer's MAC address.
TCP/IP Settings	<b>Host Name</b>	Displays the host name.
	<b>IP Address Mode</b>	Displays the settings for the IP address.
	<b>IP Address</b>	Displays the printer's IP address.
	<b>Subnet Mask</b>	Displays the subnet mask.
	<b>Gateway Address</b>	Displays the gateway address.
DNS	<b>Current DNS Server Address</b>	Displays the DNS server address.
LPD	<b>Port Status</b>	Displays the port status.
	<b>Connection Time-Out</b>	Displays the connection timeout period.
Port9100	<b>Port Status</b>	Displays the port status.
	<b>Port Number</b>	Displays the port number.
	<b>Connection Time-Out</b>	Displays the connection timeout period.
HTTP	<b>Port Status</b>	Displays the port status.
	<b>Port Number</b>	Displays the port number.
	<b>Simultaneous Connections</b>	Displays the number of connections received simultaneously by the client.
	<b>Connection Time-Out</b>	Displays the connection timeout period.
FTP	<b>Port Status</b>	Displays the port status.
	<b>Connection Time-Out</b>	Displays the connection timeout period.
SNMP Agent	<b>Port Status</b>	Displays the port status.
	<b>Trap Notification (IP)</b>	Displays the status of the <b>Trap Notification (IP)</b> feature and IP address.
	<b>Authenticate Error Trap</b>	Displays the status of the <b>Authenticate Error Trap</b> .
IP Filter	<b>Access List</b>	Displays the list of IP addresses that are permitted or denied access to the printer.

## E-Mail Alert Setup Page

**Purpose:**

To verify the current settings of SMTP/POP used for the e-mail feature and E-Mail Alerts feature. In this page, you can only verify the settings of items. If you want to change the settings, go to the pages in the **Print Server Settings** tab.

**Values:**

<b>Port Status</b>		Displays the port status.
<b>Primary SMTP Gateway</b>		Displays the primary SMTP gateway.
<b>Reply Address</b>		Displays the IP address of servers connected with SMTP protocol when data is incoming.
<b>SMTP Server Connection</b>		Displays the status of the SMTP server connection.
<b>E-Mail List 1</b>		Displays the acceptable e-mail addresses for the E-Mail Alert feature specified in E-mail List 1.
<b>E-Mail List 2</b>		Displays the acceptable e-mail addresses for the E-Mail Alert feature specified in E-mail List 2.
<b>Select Alerts for List 1</b>	<b>Supplies Alerts</b>	Displays the status, and whether to receive an E-Mail Alert for consumables.
	<b>Paper Handling Alerts</b>	Displays the status, and whether to receive an E-Mail Alert for paper handling.
	<b>Service Call</b>	Displays the status, and whether to receive an E-Mail Alert for Service Calls.
<b>Select Alerts for List 2</b>	<b>Supplies Alerts</b>	Displays the status, and whether to receive an E-Mail Alert for consumables.
	<b>Paper Handling Alerts</b>	Displays the status, and whether to receive an E-Mail Alert for paper handling.
	<b>Service Call</b>	Displays the status, and whether to receive an E-Mail Alert for Service Calls.

**Print Server Settings**

The **Print Server Settings** tab includes **Basic Information**, **Port Settings**, **TCP/IP**, **E-Mail Alert**, and **SNMP** pages.

**Basic Information****Purpose:**


To configure the printer's basic information.

**Values:**

<b>System Settings</b>	<b>Printer Name</b>	Specifies the name of the printer up to 31 alphanumeric characters.
	<b>Location</b>	Specifies the location of the printer up to 63 alphanumeric characters.
	<b>Contact Person</b>	Specifies the contact name, number, and other information of the printer administrator and service center up to 63 alphanumeric characters.
	<b>Administrator E-mail Address</b>	Specifies the contact address of the printer administrator and service center up to 63 alphanumeric characters.



	<b>Asset Tag Number</b>	Specifies the asset tag number.	
<b>EWS Settings</b>	<b>Auto Refresh</b>	<b>On</b>	Refreshes the contents of the status display pages automatically.
		<b>Off</b>	Does not refresh the status display pages automatically.
	<b>Auto Refresh Interval</b>		Sets the time interval for refreshing the contents of the status display pages automatically from 15 to 600 seconds.

 **NOTE:** The auto refresh feature is effective for the contents of the Top Frame, **Printer Status** page, **Job List** page, and **Completed Jobs** page.


## Port Settings

### Purpose:

To specify whether to enable or disable printing ports and management protocol features.

### Values:

<b>Ethernet</b>	<b>Ethernet Settings</b>	<b>Auto</b>	Detects Ethernet transmission rate and the duplex settings automatically.
		<b>10BASE-T Half-Duplex</b>	Selects 10Base-T Half-Duplex as the default value.
		<b>10BASE-T Full-Duplex</b>	Selects 10Base-T Full-Duplex as the default value.
		<b>100BASE-TX Half-Duplex</b>	Selects 100Base-T Half-Duplex as the default value.
		<b>100BASE-TX Full-Duplex</b>	Selects 100Base-T Full-Duplex as the default value.
	<b>Current Ethernet Settings</b>		Displays the current settings of Ethernet.
	<b>MAC Address</b>		Displays the printer's MAC address.
<b>Port Settings</b>	<b>LPD</b>		Select the check box to enable the LPD.
	<b>Port9100</b>		Select the check box to enable the Port9100.
	<b>FTP</b>		Select the check box to enable the FTP port.
	<b>E-Mail Alert</b>		Select the check box to enable the <b>E-Mail Alert</b> feature.
	<b>SNMP Agent</b>		Select the check box to enable the SNMP. You can also configure the transport protocol to be used. UDP can be selected as the transport protocol.

 **NOTE:** The settings in the **Port Settings** item will be valid only when the printer is rebooted. When you change or set this item, click the **Restart printer to apply new settings.** button to apply new settings.

## TCP/IP

### Purpose:

To configure the IP address, subnet mask, and gateway address of the printer.

### Values:

TCP/IP Settings	Host Name		Specifies the host name up to 15 alphanumeric characters. The default name will remain valid if no entry is made.
	IP Address Mode	AutoIP	Automatically sets the IP address.
		DHCP	Uses DHCP to set the IP address.
		BOOTP	Uses BOOTP to set the IP address.
		RARP	Uses RARP to set the IP address.
		Manually Set	Enables the IP address set in <b>IP Address</b> .
	IP Address		Sets the IP address allocated to the printer in the <i>nnn.nnn.nnn.nnn</i> format. Each section of <i>nnn.nnn.nnn.nnn</i> is a value between 0 and 254. Note that values 127 and 224 to 254 are not valid for the first three-digits.
	Subnet Mask		Sets the subnet mask in the <i>nnn.nnn.nnn.nnn</i> format. Each section of <i>nnn.nnn.nnn.nnn</i> is a value between 0 and 255. Note that 255.255.255.255 is invalid.
Gateway Address		Sets the gateway address in the <i>nnn.nnn.nnn.nnn</i> format. Each section of <i>nnn.nnn.nnn.nnn</i> is a value between 0 and 254. Note that values 127 and 224 to 254 are not valid for the first three-digits.	
DNS	DNS Mode		Select the check box to get the DNS server address automatically from the DHCP server.
	DNS Server ADDR		Sets the DNS server address.
LPD	Connection Time-Out		Sets the connection timeout period from 1 to 1000 seconds.
	IP Filter		To set the IP Filter settings, click <b>IP Filter</b> . The " <a href="#">IP Filter</a> " page is displayed.
Port9100	Port Number		Sets the port number from 9000 to 9999.
	Connection Time-Out		Sets the connection timeout period between 1 and 1000 seconds.
	IP Filter		To set the IP Filter settings, click <b>IP Filter</b> . The " <a href="#">IP Filter</a> " page is displayed.
HTTP	Port Number		Sets the port number to 80 and 9000 to 9999.
	Simultaneous Connections		Displays the maximum number of connections received simultaneously by the client.
	Connection Time-Out		Sets the connection timeout period from 1 to 255 seconds.
FTP	Password		Sets whether to enable or disable the password. And also specifies the password value up to seven characters.
	Connection Time-Out		Sets the connection timeout period from 1 to 1000 seconds.

## E-Mail Alert

### Purpose:

To configure detailed settings for E-Mail Alert. This page can also be displayed by clicking **E-Mail Alert** in the Left Frame.

### Values:

<b>Primary SMTP Gateway</b>	Sets the primary SMTP gateway.	
<b>Reply Address</b>	Sets the IP address of the incoming server connected with SMTP protocol.	
<b>SMTP Server Connection</b>	Displays the status of the SMTP server connection.	
<b>E-Mail List 1</b>	Sets acceptable e-mail addresses for the E-Mail Alert feature up to 255 alphanumeric characters.	
<b>E-Mail List 2</b>	Sets acceptable e-mail addresses for the E-Mail Alert feature up to 255 alphanumeric characters.	
<b>Select Alerts for List 1</b>	<b>Supplies Alerts</b>	Select the check box to receive an E-Mail Alert for consumables.
	<b>Paper Handling Alerts</b>	Select the check box to receive an E-Mail Alert for paper handling.
	<b>Service Call</b>	Select the check box to receive an E-Mail AlertE-Mail Alert for Service Calls.
<b>Select Alerts for List 2</b>	<b>Supplies Alerts</b>	Select the check box to receive an E-Mail Alert for consumables.
	<b>Paper Handling Alerts</b>	Select the check box to receive an E-Mail Alert for paper handling.
	<b>Service Call</b>	Select the check box to receive an E-Mail Alert for Service Calls.

## SNMP

### Purpose:

To configure the detailed settings of SNMP.

### Values:

<b>Community Name (Read only) *1</b>	Specifies the community name to access (read only) the data up to 31 alphanumeric characters. The original setting will remain valid if no input is made. Characters entered for community Name in previous settings will not be displayed on the screen. The default Read/Write Community is Private.
<b>Community Name (Read/Write) *1</b>	Specifies the community name to access (read and write) the data up to 31 alphanumeric characters. The original setting will remain valid if no input is made. Characters entered for community Name in previous settings will not be displayed on the screen. The default Read/Write Community is Public.
<b>Community Name (Trap) *1</b>	Specifies the community name used for trap up to 31 alphanumeric characters. The original settings will remain valid if no input is made. Characters entered for Community Name (Trap) in previous settings will not be displayed on the screen. The default Trap Community is " " (NULL).
<b>Trap Notification (IP)</b>	Select the check box to notify trap occurrence. In this case, specify the IP address and IP socket in the <i>nnn.nnn.nnn.nnn:mmmmm</i> format. Each section of <i>nnn.nnn.nnn.nnn</i> is a value between 0 and 255. Note that values 127 and 224 to 254 are not valid for the first three-digits only. IP socket <i>mmmmm</i> is a value between 0 and 65535.
<b>Authenticate Error Trap</b>	Select the check box to notify Authenticate Error Trap.

\*1 The default value of each items can be changed by using Dell Printer Configuration Web Tool.

## IP Filter

## Purpose:

To configure the detailed settings for the IP Filter used for LPD and Port9100. This page can be linked from LPD and Port9100 settings on the TCP/IP page.

## Values:

<b>Address</b>	Sets the address in the address field. Enter a numeric value between 0 and 255 in each field of "aaa.bbb.ccc.ddd." However, 127 and 224 to 254 cannot be used to "aaa."	
<b>Address Mask</b>	Sets the Address Mask in the Mask field. Enter a numeric value between 0 and 255 in each field.	
<b>Active Mode</b>	<b>Permit</b>	Permits printing from specified network address.
	<b>Disabled</b>	Disables the IP Filter feature for the specified IP address.
	<b>Reject</b>	Rejects printing from specified network address.

When you make the settings for the filter, enter the IP address of the IP Filter in the **Address** field and the Subnet Mask in the **Address Mask** field. Enter a numeric value between 0 and 255 in each field. "\*" is appended to the current value.

## Setup Procedure

You can set up to a maximum of five items and the first item takes priority. Enter the shortest address first before proceeding to the next longer address when setting multiple filters.

The following section explains how the **IP Filter** operates.

### IP Filter Procedure

- Enabling Printing From a Specified User

The following describes the procedure to enable printing only from the "192.168.100.10" IP address.

#### Procedures:

1. Click the first column of **Access List** row **1**.
2. Enter "192.168.100.10" in the **Address** field and "255.255.255.255" in the **Address Mask** field.
3. Select **Permit**.
4. Click **Apply New Settings**.

- Disabling Printing From a Specified User

The following describes the procedure to disable printing only from the "192.168.100.10" IP address.

#### Procedures:

1. Click the first column of **Access List** row **1**.
2. Enter "192.168.100.10" in the **Address** field and "255.255.255.255" in the **Address Mask** field.
3. Select **Reject**.
4. Click the first column of **Access List** row **2**.

5. Enter "0.0.0.0" in the **Address** field and "0.0.0.0" in the **Address Mask** field.
6. Select **Permit**.
7. Click **Apply New Settings**.

- Enabling and Disabling Printing from Network Addresses

You can enable printing from the "192.168" network address and disable printing from the "192.168.200" network address. However, the example below describes how to enable printing from the "192.168.200.10" IP address.

**Procedures:**

1. Click the first column of the **Access List** row **1**.
2. Enter "192.168.200.10" in the **Address** field and "255.255.255.255" in the **Address Mask** field.
3. Select **Permit**.
4. Click the first column of the **Access List** row **2**.
5. Enter "192.168.200.0" in the **Address** field and "255.255.255.0" in the **Address Mask** field.
6. Select **Reject**.
7. Click the first column of the **Access List** row **3**.
8. Enter "192.168.0.0" in the **Address** field and "255.255.0.0" in the **Address Mask** field.
9. Select **Permit**.
10. Click **Apply New Settings**.

**Other Features**

The **Other Features** tab includes **Set Password** page and **Reset Print Server** page.

**Set Password**

**Purpose:**

To set or change the password that is required to access the printer setup parameters from the **Dell Printer Configuration Web Tool**.

Set the password of the operator panel from **Security Settings** in the **Printer Settings**.

This page can also be displayed by clicking **Set Password** in the Left Frame.

**Values:**

<b>Administrator Password</b>	Sets the password up to 8 alphanumeric characters. The password will appear as asterisks (*) in the field when it is entered.
<b>Confirm Administrator Password</b>	

**Reset Print Server**

**Purpose:**

To initialize NVRAM for the network feature and reboot the printer.

Initialize the printer's NVRAM from the **InitNVRAM** in the **Printer Settings**.

**Values:**

<b>Initialize NIC NVRAM and restart printer</b>	Click the <b>Start</b> button to initialize NVRAM. Network settings will revert to the factory default settings and reboot the network capability.
<b>Restart Printer</b>	Click the <b>Start</b> button to reboot printer.

## Tray Settings

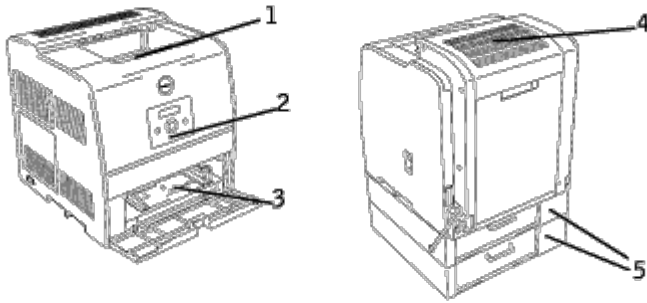
Use the **Tray Settings** menu to set the printer media types and sizes for trays respectively.

**Values:**

<b>Tray 1 Paper Type</b>	Sets the type of paper loaded in the optional 250-sheet tray module.
<b>Tray 1 Paper Size</b>	Sets the size of paper loaded in the optional 250-sheet tray module.
<b>Tray 2 Paper Type</b>	Sets the type of paper loaded in the optional 250-sheet tray or 500-sheet tray module.
<b>Tray 2 Paper Size</b>	Sets the size of paper loaded in the optional 250-sheet tray or 500-sheet tray module.
<b>MPF Paper Type</b>	Sets the type of paper loaded in the multipurpose feeder.
<b>MPF Paper Size</b>	Sets the size of paper loaded in the multipurpose feeder.

# About Your Printer

The following illustrations show the standard Dell Laser Printer 3000cn, with optional duplex module, and an optional 250-sheet tray module or 500-sheet tray module.



Standard printer		Printer with options	
1	Center output tray	4	Optional duplex module
2	Operator panel	5	Optional 250-sheet tray module (A4/Letter cassette) Optional 250-sheet tray module (Legal cassette) Optional 500-sheet tray module <b>NOTE:</b> Your printer can be equipped with a maximum of two trays. You can install the optional 250-sheet tray module with the optional 250-sheet tray module or the optional 250-sheet tray module with the optional 500-sheet tray module.
3	Multipurpose feeder		

**NOTE:** When you use the printer with the multipurpose feeder opened, do not locate the printer in direct sunlight. Doing so may cause a malfunction or unnatural screen image.

# Installing the Toner and Drum Cartridges

- [Installing the Toner Cartridge](#)

- [Installing the Drum Cartridge](#)

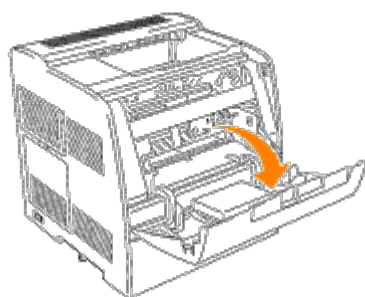
**⚠ CAUTION:** Before performing any of the following procedures, read and follow the safety instructions in your *Owner's Manual*.

---

## Installing the Toner Cartridge

Install or replace the toner cartridge while the printer is on (if the power is not on, the cartridge carrier will not rotate).

1. After confirming the `Insert Yellow Toner(Y)` message, open the front door.

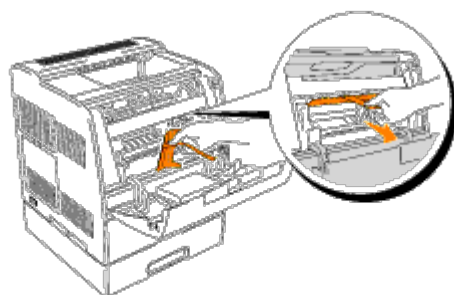


2. Hold the tape on the protective cover and pull it forward to remove the cover from each cartridge slot.

**🔧 NOTE:** You need to remove the protective cover only the first time that you install the toner.

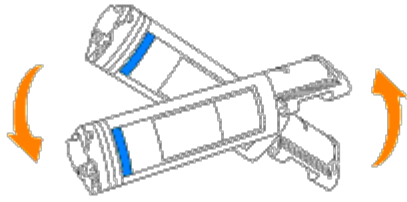
**🔧 NOTE:** Dispose of the protective cover after you remove it.

**🔧 NOTE:** The protective cover is attached to each toner cartridge mount.

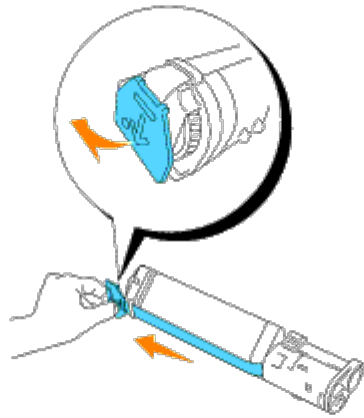


3. Make sure the color of the toner cartridge matches the slot on the toner cartridge carrier. The order is Y, M, C, K. Gently shake the cartridge to distribute the toner evenly.

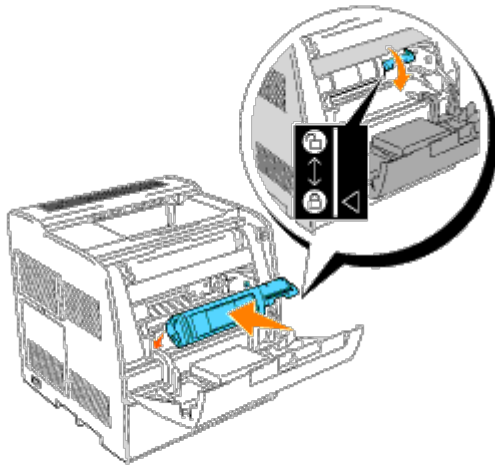





4. Lift the tab up 90 degrees and pull the toner seal straight off, keeping it parallel with the toner cartridge.

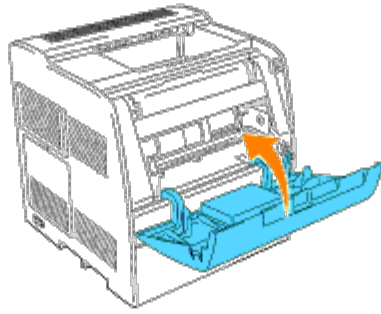


5. To insert the toner cartridges, align the arrows on the cartridge with the corresponding arrows on the printer. Guide the cartridge in until it snaps into place and then push down the handhold to lock the cartridge in place.



6. Close the front door.

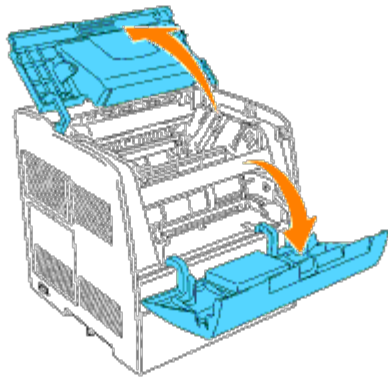
 **NOTE:** Make sure the toner cartridge is installed correctly. Otherwise, the front door cannot close firmly.



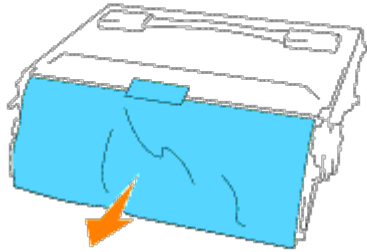
7. The toner cartridge carrier rotates to the next empty slot. When the color of the newly inserted cartridge appears on the display, followed by the *Insert* message, insert the next toner cartridge.
  8. Repeat steps 1 through 7 when inserting the remaining cartridges.
- 

## Installing the Drum Cartridge

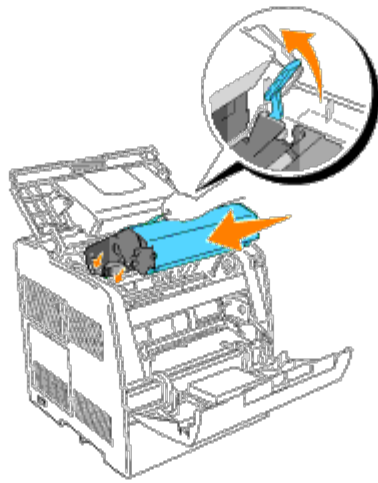
1. When the *Insert Drum* or *Insert Drum Cart* message appears, open the front door, then lift and push back the top cover.



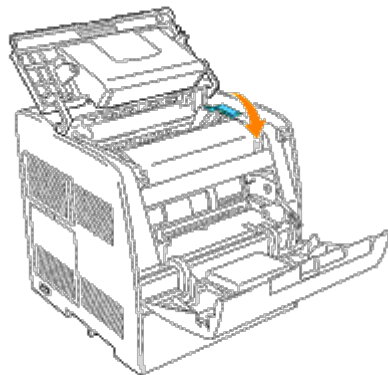
2. Remove the protective sheet from the drum cartridge.



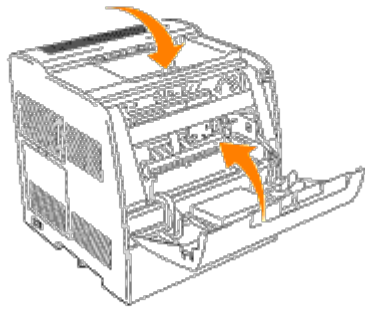
3. To insert the drum cartridge, push up the lever on the right side of the printer. With the lever in the upright position, hold the drum cartridge by the handle, align the arrows on the drum cartridge with the corresponding arrows on the printer and guide the cartridge in until it snaps into place.




4. Pull down the lever on the right to lock the drum cartridge in place.



5. Close the top cover, then the front door.



 **NOTE:** After installing the drum cartridge, the printer makes an adjustment for about one to two minutes. Do not turn off the printer during this time.

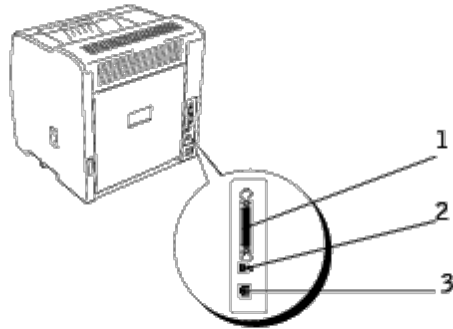
# Connecting Your Printer

- [Choosing the Right Cable](#)
  - [Connecting the Printer Locally](#)
  - [Connecting the Printer to the Network](#)
- 

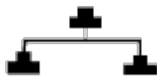
## Choosing the Right Cable

Your Dell Laser Printer 3000cn interconnection cable must meet the following requirements:

Connection	Cable certification
Parallel	Parallel IEEE 1284
USB	USB 2.0
10/100Base-TX Ethernet	CAT-5E



1	Parallel port	<p>(Computer side)      (Printer side)</p>
2	USB port	
3	Ethernet port	



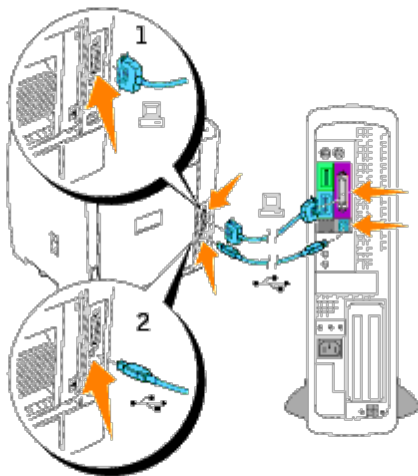
## Connecting the Printer Locally

A local printer is a printer attached to your computer using a USB or parallel cable. If your printer is attached to a network instead of your computer, skip this step and go to "[Connecting the Printer to the Network.](#)"

Microsoft® Windows® 98 SE, Windows Me, Windows 2000, Windows XP, and Windows Server 2003 operating systems support USB connections. See your computer operating system documentation to see if your system supports USB.

To attach the printer to a computer:

1. Make sure the printer, computer, and any other attached devices are turned off and unplugged.
2. Connect the printer to the computer using a USB or parallel cable.



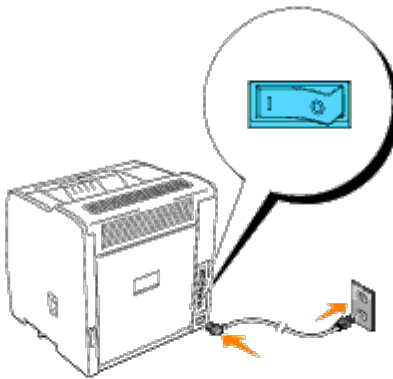
1	Parallel port
2	USB port

A USB port requires a USB cable. A parallel port requires a parallel cable. Be sure to match the USB cable with the USB port on your printer or the parallel cable with the parallel port on your printer.

Plug the other end of the cable into a USB or parallel port on the back of the computer. For a USB cable, do not plug it into the USB keyboard.

## Turn On the Printer

1. Plug one end of the printer power cable into the socket at the back of the printer and the other end into a properly grounded outlet.



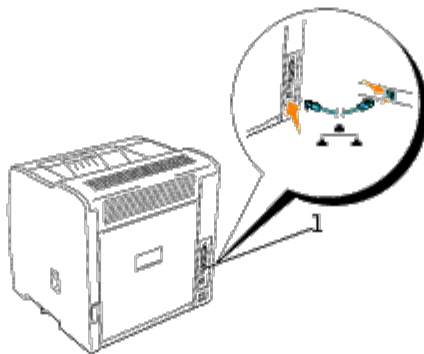
2. Turn on the computer and the printer.

---

## Connecting the Printer to the Network

To attach the printer to a network:

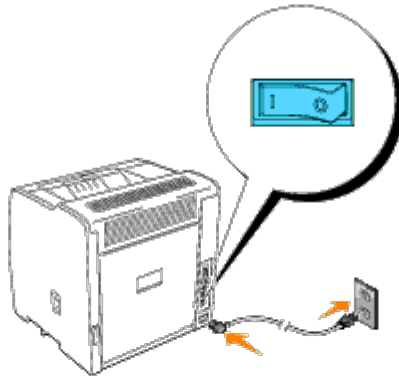
1. Make sure the printer, computer, and any other attached devices are turned off and unplugged.
2. Plug one end of a standard category 5 cable into a LAN drop or hub, and the other end into the Ethernet port on the back of the printer. The printer automatically adjusts for the network speed.



1	Ethernet port
---	---------------

## Turn On the Printer

1. Plug one end of the printer power cable into the socket at the back of the printer and the other end into a properly grounded outlet.
2. Turn on the computer and the printer.



## Print and Check the Printer Settings Page

Print a Printer Settings page to verify the network connection. This page also provides important information that helps you configure for network printing.

1. Press **Menu**.
2. Press ▼ until **Configure** appears, and then press ► or ⏴.
3. Press ▼ until **Reports** appears, and then press ► or ⏴.
4. **Printer Settings** is displayed. Press ⏴.


The Printer Settings page is printed.

5. If the IP address shows anything other than 0.0.0.0 (the factory default) or 169.254.xx.xx, the printer has an IP address assigned and stored. Go to "[Verify the IP Settings.](#)"

## Assign an IP Address

An IP address is a unique number that consists of four sections that are delimited by a period and can include up to three digits in each section, for example, 111.222.33.44.

Assigning an IP address already in use can cause network performance issues.

 **NOTE:** Assigning an IP address is considered as an advanced function and is normally done by a system administrator.

 **NOTE:** Do not continue with this procedure until you have the following three addresses:

- IP Address
- Subnet Mask Address
- Gateway Address

For more information on using your operator panel, see "[Operator Panel.](#)"

1. Turn on the printer.

The **Ready to Print** appears.

2. Press **Menu**.



3. Press ▼ until `Configure` appears, and then press ► or ⏴.
4. Press ▼ until `Network` appears, and then press ► or ⏴.
5. Press ▼ until `TCP/IP` appears, and then press ► or ⏴.
6. Press ▼ until `IP AddressSetup` appears, and then press ► or ⏴.
7. Press ▼ until `Panel` appears, and then press ⏴.
8. Press ⏴.
9. Press ▼ until `IP Address` appears, and then press ► or ⏴.
10. The cursor is located at the first digit of the IP address. Press ▲ ▼ to enter the numbers for the IP address.
11. Press ►.

The cursor moves to the next digit.

12. Repeat steps 10 and 11 to enter all of the digits in the IP address, and then press ⏴.
13. Press ⏴.
14. Press ▼ until `Subnet Mask` appears, and then press ► or ⏴.
15. Repeat steps 10 to 11 to set `Subnet Mask`, and then press ⏴.
16. Press ⏴.
17. Press ▼ until `Gateway Address` appears, and then press ► or ⏴.
18. Repeat steps 10 to 11 to set `Gateway Address`, and then press ⏴.
19. Turn off the printer, and then turn it on again.

The IP address is assigned to your printer. You can verify the setting by opening the web browser on any computer on the network and enter the IP address into the URL line. If the IP address is set up correctly, the **Dell Printer Configuration Web Tool** displays in your browser.

You can also assign the IP address to the printer when installing the printer drivers with installer. When you use the **Network Installation** feature, and the `IP AddressSetup` is set to `AutoIP` on the operator panel menu, you can set the IP address from `0.0.0.0` to the desired IP address on the printer selection window.

## Verify the IP Settings

1. Print another Printer Settings page.
2. Look under the **TCP/IP** heading on the Printer Settings page to make sure the IP address, netmask, and gateway are what you expected.

or

Ping the printer and verify that it responds. For example, at a command prompt on a network computer, type ping followed by the new printer IP address (for example, `192.168.0.11`):

ping 192.168.0.11

If the printer is active on the network, you will receive a reply.

# Installing the Optional Tray Module

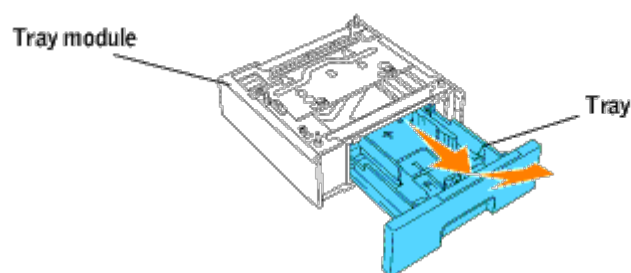
**CAUTION:** If you are adding an optional 250-sheet tray module or 500-sheet tray module after setting up the printer, be sure to turn off the printer, unplug the power cable, and disconnect all cables from the back of the printer before completing these tasks.

- Optional 250-sheet tray modules attach under the printer and up to two additional trays can be added.
- The optional 500-sheet tray module attaches under the optional 250-sheet tray module and only one additional tray can be added.

Some instructions may vary depending on the tray module configuration in your printer.

**NOTE:** Some tray module configurations differ from those described in this manual.

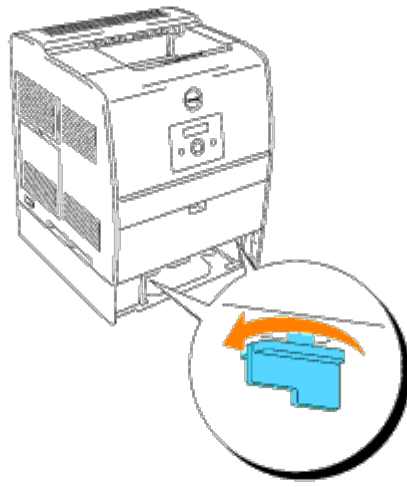
1. Unpack the tray and remove all packing material and tape.



2. Place the tray module in the location that you would like the printer to be located.

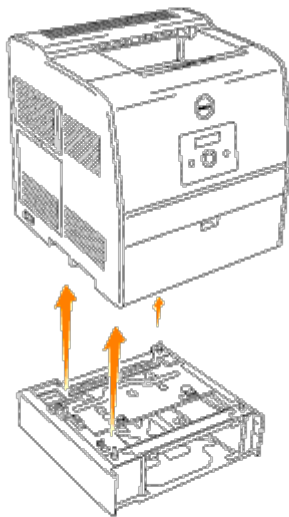
**NOTE:** You will place the printer on the tray in a later step.

3. Turn off the printer.
4. If there are any trays already attached to the printer, unlock the tray from the printer by removing the tray from the tray module and turning the locking mechanism, inside the printer, as shown in the graphic.

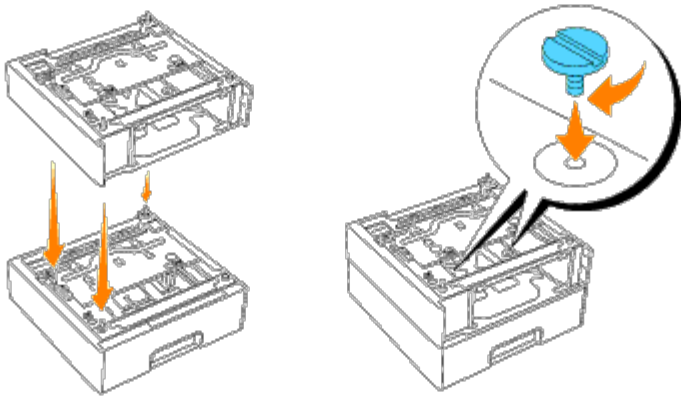


5. Remove the printer from the tray.

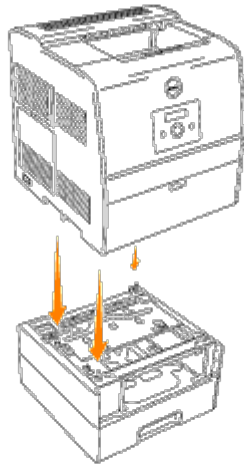
**⚠ CAUTION:** Lift the printer with two people, one facing the front of the printer (operator panel side) and the other facing the back. Never try to lift the printer while facing its right and left side.



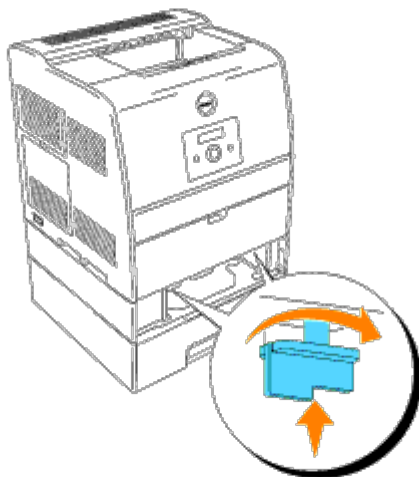
6. Attach the trays together by installing the optional tray you just removed on top and inserting the two screws provided. Tighten the screws with a coin until they are secure.



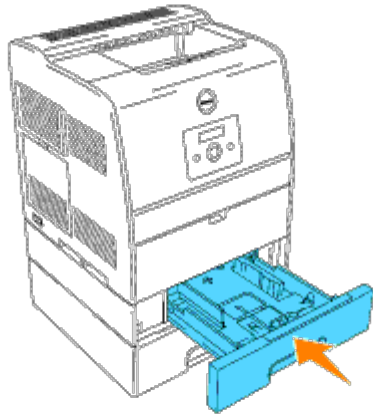
7. Place the printer on top of the tray module(s).




8. Lock the tray(s) into place by removing the top tray from the tray module and rotating the locking mechanism as shown in the graphic.



9. Replace all trays and load the paper.



10. Turn on the printer.

 **NOTE:** The printer will automatically detect the attached tray(s) but will not detect the paper type.

11. Print a Printer Settings page to verify the optional 250-sheet tray module or 500-sheet tray module is installed correctly.

- a. Press **Menu**.
- b. Press ▼ until **Configure** appears, and then press ► or ⏴.
- c. Press ▼ until **Reports** appears, and then press ► or ⏴.
- d. **Printer Settings** is displayed. Press ⏴.  
The **Printer Settings** page is printed.
- e. Verify **250-Sheet Tray Module** or **500-Sheet Tray Module** is listed in the printer settings under **Printer Options**.

If the tray modules are not listed, turn off the printer, unplug the power cable, and reinstall the optional 250-sheet tray module or 500-sheet tray module.

12. After loading paper in the optional tray, specify the paper type and size from the printer operator panel.

- a. Press ▼ until the paper size for the installed tray appears, and then press ⏴.
- b. Press ▼ until the paper type for the installed tray appears, and then press ⏴.

13. Update your driver by following the instructions for each operating system. If the printer is on a network, update the driver for each client.

## Windows XP/Server 2003

1. Click **Start** ® **Printers and Faxes**.
2. Right-click this printer icon and select **Properties**.
3. Click the **Options** tab, and then select **Get Information from Printer**.

4. Click **Apply**, and then click **OK**.
5. Close the **Printers and Faxes** folder.

## Windows 2000/NT4.0

1. Click **Start** ® **Settings** ® **Printers**.
2. Right-click this printer icon and select **Properties**.
3. Click the **Options** tab, and then select **Get Information from Printer**.
4. Click **Apply**, and then click **OK**.
5. Close the **Printers** folder.

## Windows Me/95/98

1. Click **Start** ® **Settings** ® **Printers**.
2. Right-click this printer icon and select **Properties**.
3. Click the **Options** tab, and then select **Get Information from Printer**.
4. Click **Apply**, and then click **OK**.
5. Close the **Printers** folder.


If **Get Information from Printer** is unavailable, follow these steps:


1. In the **Items** list box of the **Options** tab, find **Option Tray 1 Module**.
2. Change the setting from **Not Available** to **250 Sheet Tray Module (A4/Letter Cassette)** or **250 Sheet Tray Module (Legal Cassette)**.
3. When two optional 250-sheet tray modules have been installed, find **Option Tray 2 Module** and repeat step 2 to specify the setting of a second tray module.  
When optional 250-sheet tray module and 500-sheet tray module have been installed, find **Option Tray 2 Module** and change the setting from **Not Available** to **500 Sheet Tray Module**.
4. Click **Apply**, and then click **OK**.
5. Close the **Printers and Faxes** (or **Printers**) folder.

# Installing the Optional Duplex Module

- [To Make Duplexing the Default for All Print Jobs](#)

- [Installing a Memory Card](#)

 **NOTE:** If you are adding an optional duplex module after setting up the printer, be sure to turn off the printer, unplug the power cable, and disconnect all the cables from the back of the printer before completing these tasks.

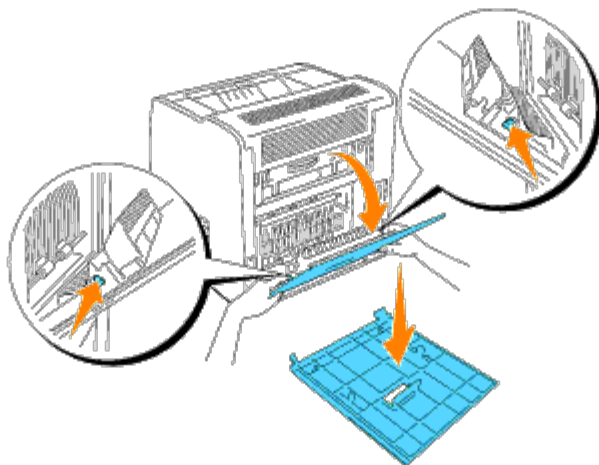
 **NOTE:** The 64 MB memory card comes with the optional duplex module. Before you use the optional duplex module, you need to install the 64 MB memory card on the printer. If you already have an existing memory card installed on the printer, you do not have to use the 64 MB memory card provided with your duplex module.

The optional duplex module attaches to the back side of the printer.

When installing the supplied 64MB memory card, see "[Installing a Memory Card](#)."

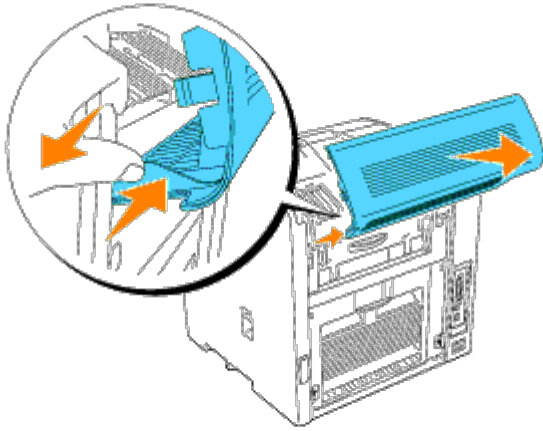


1. Turn off the printer.
2. Open the rear cover, and then pull it downward while holding the release catches on both sides of the inner rear cover. Pull the rear cover out to remove it from the printer, while pushing the round blue buttons at both sides of the rear cover. Close the inner rear cover.



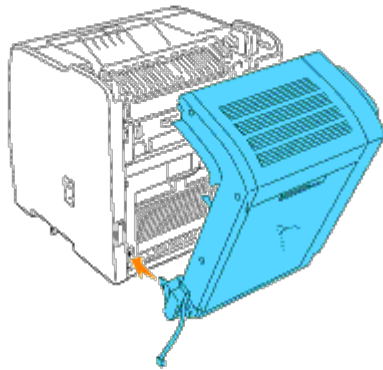
3. To remove the paper cover, push in on the paper cover while pulling out on the right side of the printer cover.



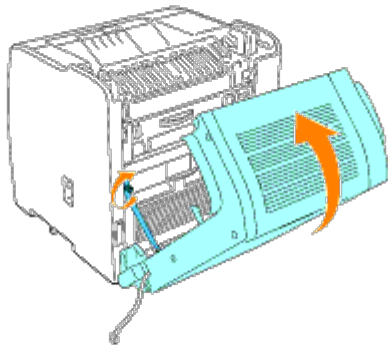


➡ **NOTICE:** In steps 4 through 5, the duplex module must be supported until the support straps have been fastened.

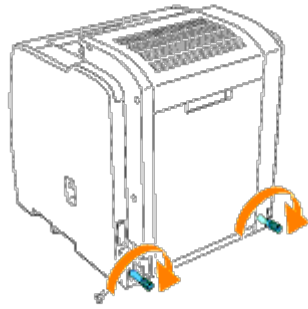
4. Insert the hooks on the optional duplex module into the grooves on the back side of the printer.



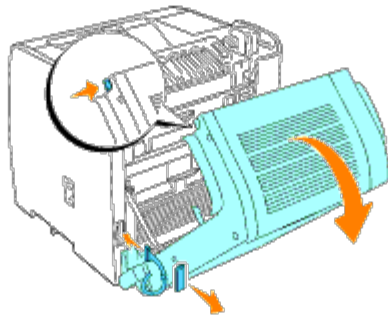
5. Attach the straps to the left and right side of the printer, and then close the optional duplex module.



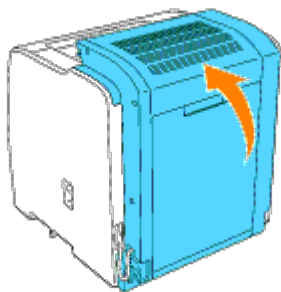
6. Tighten the screws on the bottom left and right while firmly holding the optional duplex module in a closed position.



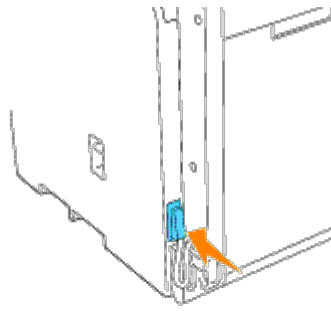
7. Open the optional duplex module. Remove the connector cover, and then attach the connector on the bottom left of the optional duplex module to the printer. Keep the original cover somewhere safe.



8. Close the optional duplex module.



9. Attach the new connector cover supplied with the duplex module.



When installing the supplied 64MB memory card, see "[Installing a Memory Card.](#)"

10. Turn on the printer.
11. Make sure the optional duplex module is properly installed.
  - a. Press **Menu**.
  - b. Press ▼ until **Configure** appears, and then press ► or ⏴.
  - c. Press ▼ until **Reports** appears, and then press ► or ⏴.
  - d. **Printer Settings** is displayed. Press ⏴.  
The **Printer Settings** page is printed.
  - e. Verify that the optional duplex module is listed under **Printer Options** in the **Printer Settings** page.  
If the optional duplex module is not listed, turn off the printer, unplug the power cable, and reinstall the optional duplex module.
  - f. Verify the **Memory Capacity** under **General** in the **Printer Settings** page.
12. Update your driver by following the instructions. If the printer is on a network, update the driver for each client.

## Windows XP/Server 2003

1. Click **Start** ® **Printers and Faxes**.
2. Right-click this printer icon and select **Properties**.
3. Click the **Options** tab, and then select **Get Information from Printer**.
4. Click **Apply**, and then click **OK**.
5. Close the **Printers and Faxes** folder.

## Windows 2000/NT4.0


1. Click **Start** ® **Settings** ® **Printers**.
2. Right-click this printer icon and select **Properties**.
3. Click the **Options** tab, and then select **Get Information from Printer**.
4. Click **Apply**, and then click **OK**.
5. Close the **Printers** folder.

## Windows Me/95/98

1. Click **Start** ® **Settings** ® **Printers**.
2. Right-click this printer icon and select **Properties**.
3. Click the **Options** tab, and then select **Get Information from Printer**.
4. Click **Apply**, and then click **OK**.
5. Close the **Printers** folder.

If **Get Information from Printer** is unavailable, follow these steps:

1. In the **Items** list box of the **Options** tab, find **Duplex Module**.
2. Change the setting from **Not Available** to **Available**.
3. Click **Memory Capacity**, and then select an appropriate numerical value.

 **NOTE:** Select 128 MB if the 64 MB memory provided with this option has been added to the standard 64 MB memory.

4. Click **Apply**, and then click **OK**.
  5. Close the **Printers and Faxes** (or **Printers**) folder.
- 


## To Make Duplexing the Default for All Print Jobs

You can set up your driver to use duplexing on all print jobs. If you do not want duplexing for a specific print job, you can override this feature.

1. In Windows Server 2003 and Windows XP, click **Start** ® **Printers and Faxes**.  
In all other operating systems, click **Start** ® **Settings** ® **Printers**.
  2. Right-click this printer icon.
  3. In Windows Server 2003, Windows XP and Windows 2000, click **Printing Preferences**.  
In Windows NT 4.0, click **Document Defaults**.  
In Windows Me and Windows 95/98, click **Properties**.
  4. Click **Paper** tab.
  5. In the **Duplex** combo box, select either **Flip on Long Edge** or **Flip on Short Edge**, and then click **Apply**.
  6. Click **OK**, and then close the **Printers and Faxes** (or **Printers**) folder.
- 

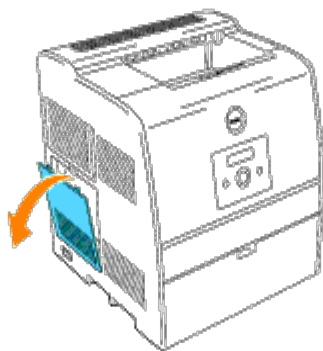
## Installing a Memory Card

Your printer supports 64, 128, 256, and 512 MB additional memory cards.

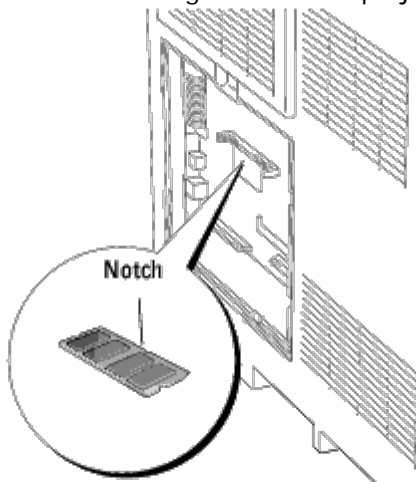
 **NOTE:** The 64 MB memory card comes with the optional duplex module. Before you use the optional duplex module, you need to install the 64 MB memory card on the printer. If you already have an existing memory card installed on the printer, you do not have to use the 64 MB memory card provided with your duplex module.

1. Make sure that the printer is turned off.

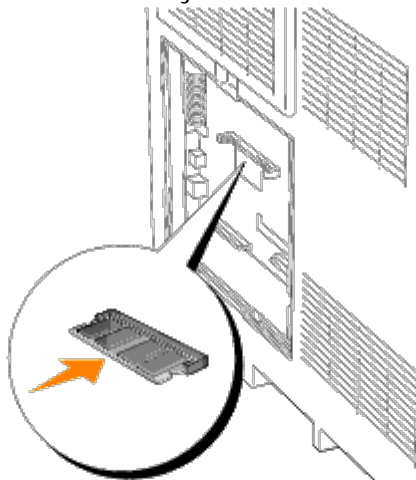
2. Remove the control board cover on the left side of the printer by pulling the notch.



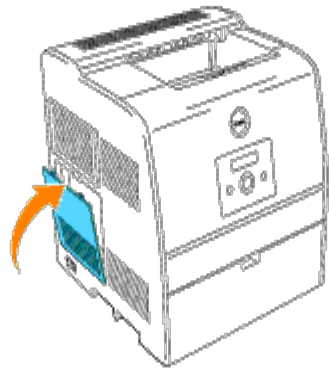
3. Hold the memory card so the notch is aligned with the projection on the slot.



4. Push the memory card into the slot firmly.



5. Reattach the control board cover to the printer.



# Print Media Guidelines

Print media is paper, transparencies, labels, envelopes, coated paper among others. Your printer provides high-quality printing on a variety of print media. Selecting the appropriate print media for your printer helps avoid printing troubles. This section describes how to select print media, how to care for print media, and how to load the print media in the optional 250-sheet tray module or 500-sheet tray module.

- [Paper](#)
  - [Transparencies](#)
  - [Envelopes](#)
  - [Labels](#)
  - [Storing Print Media](#)
  - [Identifying Print Media Sources and Specifications](#)
- 

## Paper

For the best print quality in color, use 75 g/m<sup>2</sup> (20 lb) xerographic, grain long paper. For the best print quality in black and white, use 90 g/m<sup>2</sup> (24 lb) xerographic, grain long paper. Before buying large quantities of any print media, Dell recommends trying a sample first.

When loading paper, identify the recommended print side on the paper package, and load the paper accordingly. See "[Loading Print Media in Optional Trays](#)" and "[Loading the Multipurpose Feeder](#)" for detailed loading instructions.

## Paper Characteristics

The following paper characteristics affect print quality and reliability. Dell recommends that you follow these guidelines when evaluating new paper stock.

### Weight

The tray automatically feeds paper weights from 60 to 105 g/m<sup>2</sup> (16 to 28 lb bond) grain long. The multipurpose feeder automatically feeds paper weights from 60 to 216 g/m<sup>2</sup> (16 to 56 lb bond) grain long. Paper lighter than 60 g/m<sup>2</sup> (16 lb) might not be stiff enough to feed properly, and could cause paper jams. For best performance, use 75 g/m<sup>2</sup> (20 lb bond) grain long paper.

### Curl

Curl is the tendency of print media to curve at its edges. Excessive curl can cause paper feeding problems. Curl usually occurs after the paper passes through the printer, where it is exposed to high temperatures. Storing paper unwrapped in humid conditions, even in the paper tray, can contribute to paper curling prior to printing and cause feeding problems.

### Smoothness

The degree of paper smoothness directly affects print quality. If the paper is too rough, the toner does not fuse to the paper properly, resulting in poor print quality. If the paper is too smooth, it can cause paper feeding problems. Smoothness between 150 and 250 Sheffield points produces the best print quality.

### Moisture Content

The amount of moisture in the paper affects both print quality and the ability of the printer to feed the paper properly. Leave the paper in its original packaging until you are ready to use it. This limits the exposure of the paper to moisture changes that can degrade its performance.

## Grain Direction

Grain refers to the alignment of the paper fibers in a sheet of paper. Grain is either grain long, running the length of the paper, or grain short, running the width of the paper. For 60 to 135 g/m<sup>2</sup> (16 to 36 lb bond) paper, grain long fibers are recommended. For papers heavier than 135 g/m<sup>2</sup> (36 lb bond), grain short is preferred.

## Fiber Content

Most high-quality xerographic paper is made from 100% chemically pulped wood. Paper containing fibers such as cotton possess characteristics that can result in degraded paper handling.

## Recommended Paper

To ensure the best print quality and feed reliability, use 75 g/m<sup>2</sup> (20 lb) xerographic paper. Business papers designed for general business use also provide acceptable print quality.

Always print several samples before buying large quantities of any type of print media. When choosing any print media, you should consider the weight, fiber content, and color.

The laser printing process heats paper to high temperatures of 225°C (437°F) for Magnetic Ink Character Recognition (MICR) applications, and 205°C (401°F) for non-MICR applications. Only use paper able to withstand these temperatures without discoloring, bleeding, or releasing hazardous emissions. Check with the manufacturer or vendor to determine whether the paper you have chosen is acceptable for laser printers.

## Unacceptable Paper

The following paper types are not recommended for use with the printer:

- Chemically treated papers used to make copies without carbon paper, also known as carbonless papers, carbonless copy paper (CCP), or no carbon required (NCR) paper
- Preprinted papers with chemicals that may contaminate the printer
- Preprinted papers that can be affected by the temperature in the printer fuser
- Preprinted papers that require a registration (the precise print location on the page) greater than ±0.09 in., such as optical character recognition (OCR) forms

In some cases, you can adjust registration with your software program to successfully print on these forms.

- Coated papers (erasable bond), synthetic papers, thermal papers
- Rough-edged, rough or heavily textured surface papers or curled papers
- Recycled papers containing more than 25% post-consumer waste that do not meet DIN 19 309
- Multiple-part forms or documents
- Label paper with Cut

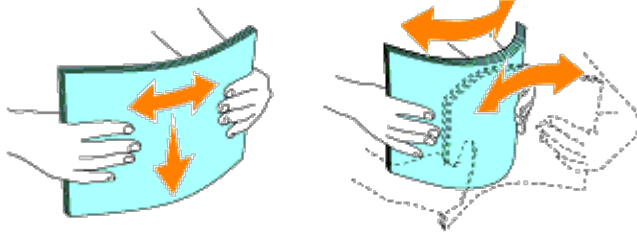


## Selecting Paper

Proper paper selection helps prevent jams and ensures trouble-free printing.

To help avoid jams or poor print quality:

- Always use new, undamaged paper.
- Before loading the paper, identify the recommended print side of the paper. This information is usually indicated on the paper package.
- Do not use paper that you have cut or trimmed yourself.
- Do not mix print media sizes, weights, or types in the same source. This may result in a paper jam.
- Do not remove trays while a job is printing or `Printing` is displayed on the operator panel.
- Make sure the `Paper Type` and `Paper Size` settings are correct. (See "[Tray Settings](#)" for detailed information about these settings.)
- Make sure the paper is properly loaded in the tray.
- Flex paper back and forth, and then fan them. Straighten the edges of the stack on a level surface.



- When curl is excessive, with plain paper, turn it over and reset it.

## Selecting Preprinted Forms and Letterhead

When selecting preprinted forms and letterhead paper for the printer:

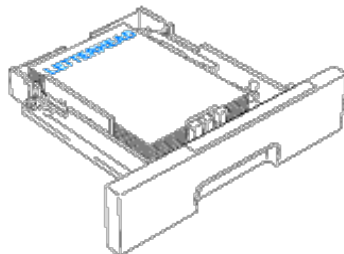
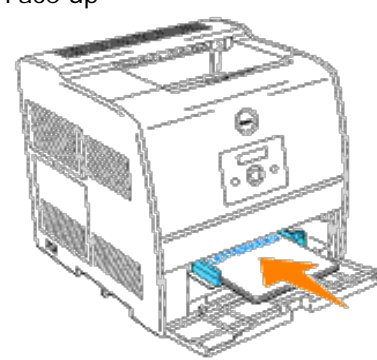
- Use long grain paper for best results.
- Use only forms and letterhead printed using an offset lithographic or engraved printing process.
- Select papers that absorb ink, but do not bleed.
- Avoid papers with rough or heavily textured surfaces.
- Use papers printed with heat-resistant inks designed for use in xerographic copiers. The ink must withstand temperatures of 225°C (437°F) without melting or releasing hazardous emissions.
- Use inks that are not affected by the resin in toner or the silicone in the fuser. Inks that are oxidation-set or oil-based should meet these requirements; latex inks might not. If you are in doubt, contact your paper supplier.

## Printing on Letterhead

Check with the manufacturer or vendor to determine whether the preprinted letterhead you have selected is acceptable for

laser printers.

Page orientation is important when printing on letterhead. Use the following table for help when loading letterhead in the print media sources.

Print media source	Print side	Page orientation
Optional 250-sheet tray module or 500-sheet tray module	Face up 	Back of tray
Multipurpose feeder	Face up 	Logo enters the printer first

## Selecting Pre-punched Paper

Pre-punched paper brands can differ in the number and placement of holes and in manufacturing techniques.

To select and use pre-punched paper:

- Test paper from several manufacturers before ordering and using large quantities of pre-punched paper.
- Paper should be punched at the paper manufacturer and not drilled into paper already packaged in a ream. Drilled paper can cause jams when multiple sheets feed through the printer. This may result in a paper jam.
- Pre-punched paper can include more paper dust than standard paper. Your printer may require more frequent cleaning and feed reliability may not be as good as standard paper.
- Weight guidelines for pre-punched paper are the same as non-punched paper.

---

## Transparencies

Before buying large quantities of any print media, Dell recommends trying a sample first.

When printing on transparencies:

- Set the **Paper Type** to **Transparency** from the printer driver to avoid damaging your printer.
- Use transparencies designed specifically for laser printers. Do not use regular transparencies. Transparencies must be able to withstand temperatures of 205°C (401°F) without melting, discoloring, offsetting or releasing hazardous emissions.
- Avoid getting fingerprints on the transparencies. This may result in poor print quality.
- Before loading transparencies, fan the stack to prevent sheets from sticking together.

## Selecting Transparencies

The printer can print directly on transparencies designed for use in laser printers. Print quality and durability depend on the transparency used. Before buying large quantities of any print media, Dell recommends trying a sample first.

The `Paper Type` setting should be set to `Transparency` to help prevent jams. (See "[Paper Type](#)" for detailed information about this setting.) Check with the manufacturer or vendor to determine whether your transparencies are compatible with laser printers that reach temperatures as high as 205°C (401°F). Only use transparencies that are able to withstand these temperatures without melting, discoloring, offsetting, or releasing hazardous emissions.

---

## Envelopes

You can load envelopes in the multipurpose feeder for a single print job. Before buying large quantities of any print media, Dell recommends trying a sample first. See "[Loading the Multipurpose Feeder](#)" for instructions on loading an envelope.

When printing on envelopes:

- Use only high-quality envelopes that are designed for use in laser printers.
- Set the print media source to **MPF**. Set the **Paper Type** to **Envelope**, and select the correct size of envelope from the printer driver.
- For best performance, use envelopes made from 75 g/m<sup>2</sup> (20 lb bond) paper. You can use up to 105 g/m<sup>2</sup> (28 lb bond) weight for the envelope feeder as long as the cotton content is 25% or less. Envelopes with 100% cotton content must not exceed 90 g/m<sup>2</sup> (24 lb bond) weight.
- Use only new, undamaged envelopes.
- For best performance, do not use envelopes that:
  - Have excessive curl or twist
  - Are stuck together or damaged in any way
  - Contain windows, holes, perforations, cutouts, embossing
  - Use metal clasps, string ties, or metal folding bars
  - Have an interlocking design
  - Have postage stamps attached
  - Have any exposed adhesive when the flap is in the sealed or closed position
  - Have nicked edges or bent corners
  - Have rough, cockle, or laid finishes

- Use envelopes that can withstand temperatures of 205°C (401°F) without sealing, excessive curling, wrinkling, or releasing hazardous emissions. If you have any doubts about the envelopes you are considering, check with the envelope supplier.
  - Adjust the width guide to fit the width of the envelopes.
  - To load envelopes in the multipurpose feeder, insert the envelopes either with the flaps open and toward the front of the printer, or with the flaps closed and the short-edge of the envelopes facing into the printer.
  - See "[Loading the Multipurpose Feeder](#)" for instructions on loading an envelope.
  - Use one envelope size during a print job.
  - Make sure the humidity is low because high humidity (more than 60%) and the high printing temperatures may seal the envelopes.
- 

## Labels

Your printer can print on many labels designed for use with laser printers. Label adhesives, face sheet (printable stock), and topcoats must be able to withstand temperatures of 205°C (401°F) and pressure of 25 pounds per square inch (psi).

Before buying large quantities of any print media, Dell recommends trying a sample first.

When printing on labels:

- Do not load labels together with paper or transparencies at the same time. This may result in a jam.
  - Do not use label sheets with a slick backing material.
  - Do not print within 1 mm (0.04 in.) of the die cut.
  - Use full label sheets. Partial sheets may cause labels to peel off during printing, resulting in a jam. Partial sheets also contaminate your printer and your cartridge with adhesive, and could void your printer and cartridge warranties.
  - Use labels that can withstand temperatures of 205°C (401°F) without sealing, excessive curling, wrinkling, or releasing hazardous emissions.
  - Do not print within 1 mm (0.04 in.) of the edge of the label, of the perforations, or between die-cuts of the label.
  - Do not use label sheets that have adhesive to the edge of the sheet. Dell recommends zone coating of the adhesive at least 1 mm (0.04 in.) away from edges. Adhesive material contaminates your printer and could void your warranty.
  - If zone coating of the adhesive is not possible, a 3 mm (0.125 in.) strip should be removed on the leading edge, and a non-oozing adhesive should be used.
  - Remove a 3 mm (0.125 in.) strip from the leading edge to prevent labels from peeling inside the printer.
  - Portrait orientation is preferred, especially when printing bar codes.
  - Do not use labels that have exposed adhesive.
- 

## Storing Print Media

For proper print media storage, the following guidelines help avoid media feeding problems and uneven print quality.

- For best results, store print media in an environment where the temperature is approximately 21°C (70°F) and the relative humidity is 40%.
- Store cartons of print media on a pallet or shelf, rather than directly on the floor.

- If you store individual packages of print media out of the original carton, make sure they rest on a flat surface so that the edges do not buckle or curl.
- Do not place anything on top of the print media packages.

## Identifying Print Media Sources and Specifications

The following tables provide information on standard and optional print media sources.

### Print Media Sizes and Support

	Multipurpose feeder	Optional 250-sheet tray module		Optional 500-sheet tray module	Optional duplex module
		A4/Letter cassette	Legal cassette		
A4	Y	Y	Y	Y	Y
A5	Y	Y	Y	N	N
B5	Y	Y	Y	N	Y
Letter	Y	Y	Y	Y	Y
Folio (8.5 x 13 in.)	Y	N	Y	N	Y
Legal (8.5 x 14 in.)	Y	N	Y	N	Y
Executive	Y	Y	Y	N	Y
COM-10 envelope	Y	N	N	N	N
Monarch	Y	N	N	N	N
C5	Y	N	N	N	N
DL	Y	N	N	N	N
User-specified print media	Y	N	N	N	N

### Print Media Supported

	Multipurpose feeder	Optional 250-sheet tray module	Optional 500-sheet tray module	Optional duplex module
Plain Paper 1 (60–80 gsm)	Y	Y	Y	Y
Plain Paper 1-Side2 (60–80 gsm)	Y	N	N	N
Plain Paper 2 (81–105 gsm)	Y	Y	Y	Y
Plain Paper 2-Side2 (81–105 gsm)	Y	N	N	N
Covers 1 (106–163 gsm)	Y	N	N	N

Covers 1-Side2 (106–163 gsm)	Y	N	N	N
Covers 2 (164–216 gsm)	Y	N	N	N
Covers 2-Side2 (164–216 gsm)	Y	N	N	N
Transparency	Y	N	N	N
Labels	Y	N	N	N
Coated 1 (106–163 gsm)	Y	N	N	N
Coated 1-Side2 (106 –163 gsm)	Y	N	N	N
Coated 2 (164–216 gsm)	Y	N	N	N
Coated 2-Side2 (164 –216 gsm)	Y	N	N	N
Envelope	Y	N	N	N

## Setup Paper Type

Paper type	Weight (gsm)	Remarks
Plain1	60-80	-
Plain2	81-105	-
Covers1	106-163	-
Covers2	164-216	-
Coated1	106-163	BJP (Bubble Jet Printer) paper cannot be used.
Coated2	164-216	BJP (Bubble Jet Printer) paper cannot be used.
Transparency	-	BJP (Bubble Jet Printer) paper cannot be used.
Label	-	BJP (Bubble Jet Printer) paper cannot be used.
Envelopes	-	-


# Loading Print Media

Proper print media loading helps prevent jams and ensures trouble-free printing.

Before loading print media, identify the recommended print side of the print media. This information is usually on the print media package.

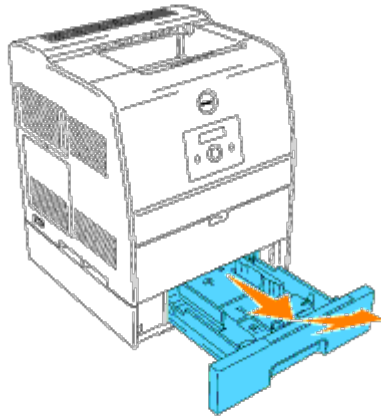
- [Loading Print Media in Optional Trays](#)
  - [Multipurpose Feeder](#)
  - [Loading the Multipurpose Feeder](#)
  - [Using the Multipurpose Feeder](#)
  - [Linking Trays](#)
  - [Using the Duplex Function](#)
  - [Using the Center Output Tray](#)
  - [Using the Support Extension](#)
- 

## Loading Print Media in Optional Trays

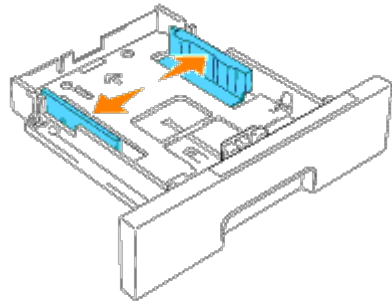
 **NOTE:** To avoid paper jams, do not remove trays while a job prints.

All trays are loaded the same way.

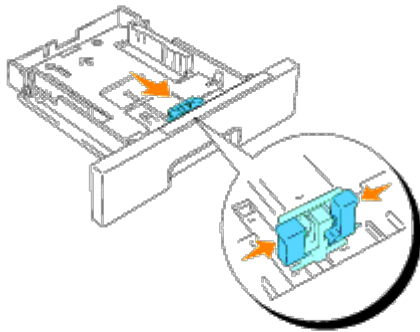
1. Remove the tray.



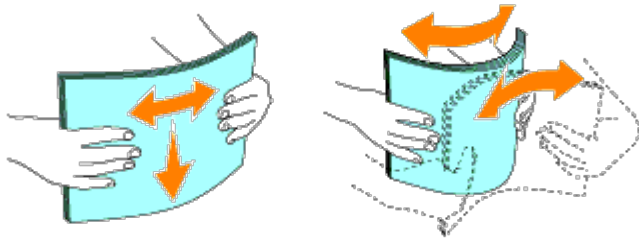
2. Slide the width guides to the edge of the tray. The width guides should be fully extended.




3. Squeeze the length guide and slide it to the front edge of the tray.



4. Before loading the print media, flex the sheets back and forth, and then fan them. Straighten the edges of the stack on a level surface.

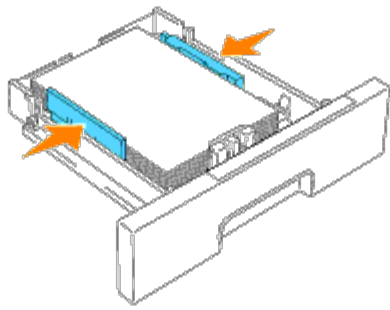


5. Place the print media into the tray with the recommended print side face up.

 **NOTE:** Do not exceed the maximum fill line in the tray. Overfilling the tray may cause paper jams.

6. Slide the width guides and length guide until they rest lightly against the edge of the print media stack.



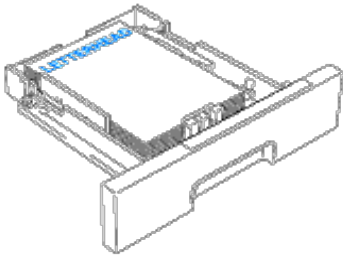
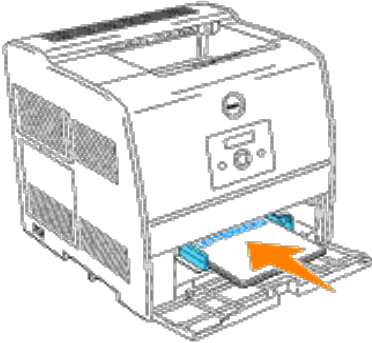


7. Insert the tray.

8. If you load any print media into the tray, configure the Paper Type and Paper Size settings for that tray according to the message.

## Loading Letterhead

Place the printed side face up.

Print media source	Print side	Page orientation
Optional 250-sheet tray module or 500-sheet tray module	Face up 	Back of tray
Multipurpose feeder	Face up 	Logo enters the printer first

## Multipurpose Feeder

## Capacity

The maximum stack height is 16 mm (0.6 in.). The multipurpose feeder can hold approximately:

- 150 sheets of 75 g/m<sup>2</sup> (20 lb) paper

## Print Media Dimensions

The multipurpose feeder accepts print media within the following dimensions:

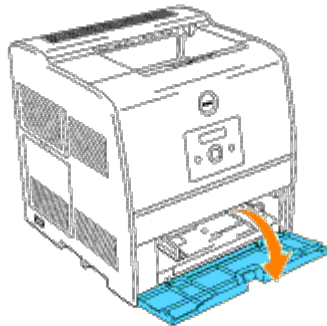
- Width -- 90 mm to 215.9 mm (3.5 in. to 8.5 in.)
- Length -- 139.7 mm to 355.6 mm (5.5 in. to 14 in.)

---

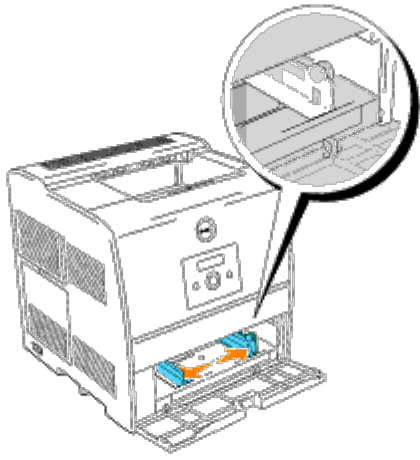
## Loading the Multipurpose Feeder

In addition to plain paper, the multipurpose feeder can use various other sizes and types of print media such as envelopes, and transparencies.


1. Gently pull open the multipurpose feeder cover.

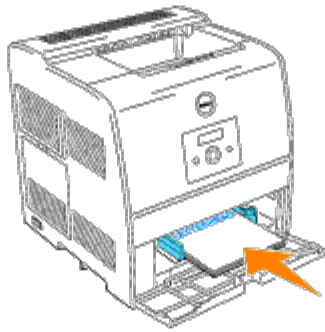


2. Slide the width guides to the edge of the tray. The width guides should be fully extended.




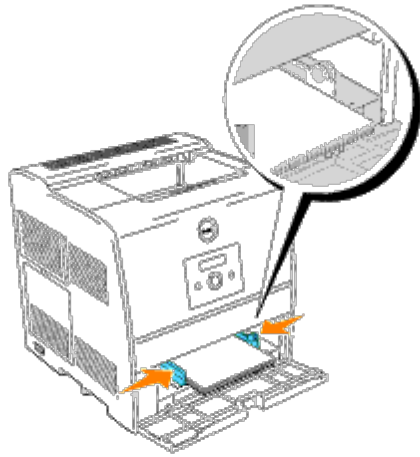
3. Insert the print media into the feeder with the recommended print side face up.

 **NOTE:** Do not force the print media.



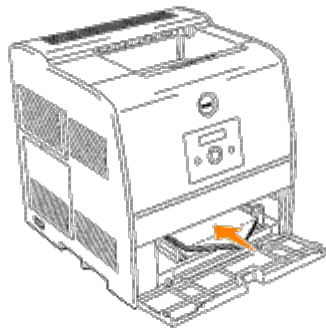
4. Slide the width guides until they rest lightly against the edge of the print media stack.

 **NOTE:** Be careful not to bend the print media.



5. Make sure the size and type settings for the multipurpose feeder are set to the correct value for the print media you have loaded.
6. Select print media source, size, and type in your software program and select the print media size and type on the printer operator panel.

## Loading Envelopes




To load envelopes that are under 8.66 inches (220 mm) in width, insert the envelopes with the flaps open and toward the front of the printer, with the recommended print side face up.

To load envelopes that are over 8.66 inches (220 mm) in width, insert the envelopes with the flaps closed and the short-edge of the envelopes facing into the printer, with the recommended print side face up.

You can load envelopes up to the maximum fill line in the tray at one time.

 **NOTE:** Make sure set the envelope flaps are completely unfolded.

 **NOTICE:** Never use envelopes with windows, coated linings, or self-stick adhesives. These lead to paper jams and damage to the printer.

---

## Using the Multipurpose Feeder

- Load only one size and type of print media during a single print job.
- To achieve the best possible print quality, use only high-quality print media that is designed for use in laser printers. For more guidelines on print media, see "[Print Media Guidelines](#)."
- Do not add or remove print media when there is still print media in the multipurpose feeder or when the printer is printing from the multipurpose feeder. This may result in a paper jam.
- Print media should be loaded with the recommended print side up and the top of the print media going into the multipurpose feeder first.
- Do not place objects on the multipurpose feeder. Also, avoid pressing down or applying excessive force on it.
- Do not remove any tray while a job is printing from the multipurpose feeder or `Printing` is displayed on the operator panel. This may result in a paper jam.

The icons on the multipurpose feeder identify how to load the multipurpose feeder with paper, and how to turn an envelope for printing.



## Linking Trays

Tray linking allows you to load the same size and type of print media in multiple sources. The printer automatically links the source/trays and will use the first tray until it runs out, then switch to the linked tray.

If you load the same size print media in each tray, make sure the print media is the same type in order to link the trays.

When the selected trays are loaded with the same size and type of print media, select the `Paper Size` and `Paper Type` settings in the `Tray Settings` for each source.

To disable tray linking, set the `Paper Size` and `Paper Type` to a unique value in each one of the trays. If all trays do not have the same type of print media when linked, you could mistakenly print a job on the wrong paper type.

## Using the Duplex Function

Duplex printing (or two-sided printing) allows you to print on both sides of a sheet of paper. For sizes that are acceptable for duplex printing, see "[Print Media Sizes and Support](#)."

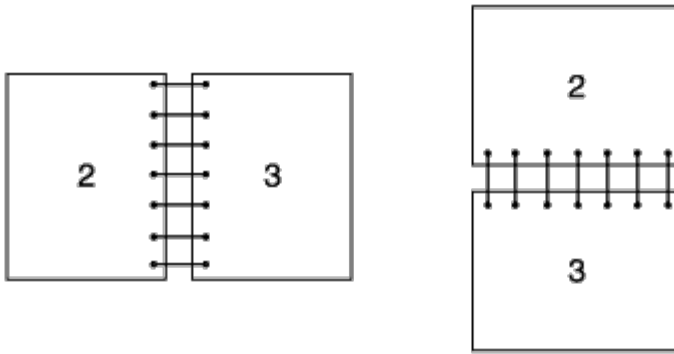
## Using Duplex Bind

When using duplex bind printing in the printer driver, you must select either **Flip on Short Edge** or **Flip on Long Edge**. `Binding` in the `Duplex` menu item defines the way duplexed pages are bound, and how the printing on the back of the sheet (even-numbered pages) is oriented in relation to the printing on the front (odd-numbered pages).

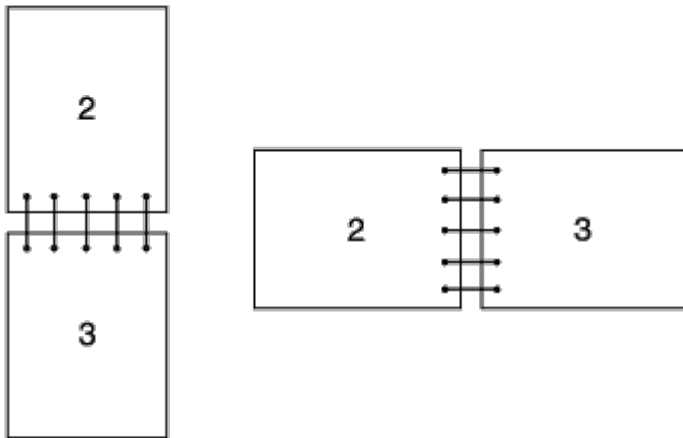
The two values for `Binding` are:


--	--

Long Edge Assumes binding along the long edge of the page (left edge for portrait orientation and top edge for landscape orientation). The following illustration shows long-edge binding for portrait and landscape pages:



Short Edge Assumes binding along the short edge of the page (top edge for portrait orientation and left edge for landscape orientation). The following illustration shows short-edge binding for portrait and landscape pages:



 **NOTE:** When you print on both sides of postcard-size paper, make sure the paper is not curled.

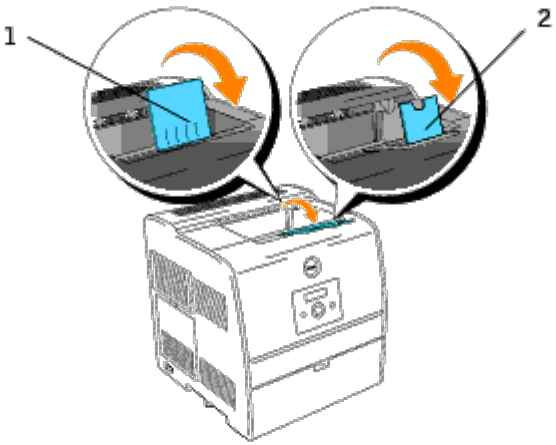
## Using the Center Output Tray

The center output tray holds up to:

- 250 sheets (20 lb (75 g/m<sup>2</sup>)) of plain paper: or
- 20 sheets of transparency: or
- 20 sheets of label: or
- 10 sheets of envelope

# Using the Support Extension

The support extension is designed to prevent print media from falling from the printer after the print job is complete. Before printing a document, make sure the paper extender is fully extended.

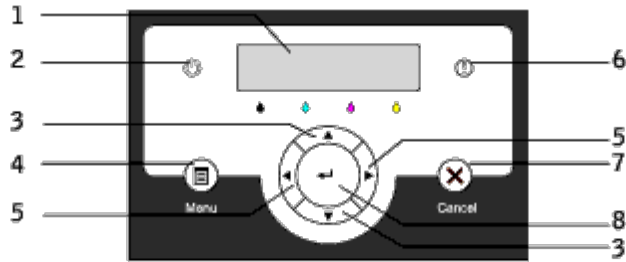


# Operator Panel

- [Using the Operator Panel Buttons](#)
  - [Printing a Panel Settings Page](#)
- 

## Using the Operator Panel Buttons

The printer operator panel has a 2-line by 16-character liquid crystal display (LCD), seven buttons, and two indicators that flash when the printer is ready to print, and when a error occurs.



1. LCD display
  2. Ready indicator
    - Displays green when the printer is ready. Blinks when data is being received.
  3. ▼ ▲ buttons
    - In the Menu mode, displays menus or items in order.
  4. Menu button
    - Toggles between the Menu mode and the Print mode.
  5. ◀ ▶ buttons
    - In the Menu mode, selects different submenus. Also selects setting values.
  6. Error indicator
    - Displays red when an error has occurred. Blinks when an irrecoverable error has occurred.
  7. Cancel button
    - In the Menu mode, exits to the Print mode.
    - Cancels current print job.
  8. ↵ button
    - In the Menu mode, selects the currently displayed menu or item.
    - In the Print mode, outputs data in the printer.
-



# Printing a Panel Settings Page

The Panel Settings page shows current settings for the operator panel menus.

1. Press **Menu**.
2. Press ▼ until **Configure** appears, and then press ► or ⏴.
3. Press ▼ until **Reports** appears, and then press ► or ⏴.
4. Press ▼ until **Panel Settings** appears, and then press ⏴.  
The Panel Settings page is printed.
5. Verify that any optional 250-sheet tray module or 500-sheet tray module you installed are configured for the sizes and types of print media you loaded.

# Printer Settings

You can change most printer settings from your software program or printer driver. If your printer is attached to the network, you can change settings from the **Dell Printer Configuration Web Tool**. To launch the **Dell Printer Configuration Web Tool**, type the printer IP address in your Web browser. Print a Printer Settings page to find your printer's IP address (see "[Printing a Printer Settings Page](#)").

Settings you change from the software or printer driver apply only to the job you are preparing to send to the printer.

Changes made to printer settings from an software program override changes made from the printer operator panel.

If you cannot change a setting from your software program, use the printer operator panel or the **Dell Printer Configuration Web Tool**. Changing a printer setting from the printer operator panel or from the **Dell Printer Configuration Web Tool** makes that setting the user default.

## Printing a Printer Settings Page

The Printer Settings page lists all the options you purchased or installed. If a feature or an option is not listed, you need to check your installation.

1. Press **Menu**.
2. Press ▼ until **Configure** appears, and then press ► or ⏴.
3. Press ▼ until **Reports** appears, and then press ► or ⏴.
4. **Printer Settings** is displayed. Press ⏴.  
The Printer Settings page is printed.
5. Verify that the options you installed are correctly listed under **Printer Options**.
6. If an option you installed is not listed, turn off the printer, unplug the power cord, and reinstall the option.
7. Verify the amount of memory installed is correctly listed under **General**.

## Using the Operator Panel to Change Printer Settings

You can select menu items and corresponding values from the operator panel.

When you first enter the printer menus from the operator panel, you see an asterisk (\*) next to a value in the menus.

This asterisk indicates the factory default menu setting. These settings are the original printer settings. (Factory defaults may vary for different countries.)

When you select a new setting from the operator panel, an asterisk appears next to the setting to identify it as the current user default menu setting.

These settings are active until new ones are selected or the factory defaults are restored.

To select a new value as a setting:


1. Press **Menu**.

2. Press ▼ ▲ until the required menu appears, and press ► or ⏴ .
3. Press ▼ ▲ until the desired menu or menu item appears, and press ► or ⏴ .
  - If the selection is a menu, the menu is opened and the first printer setting in the menu appears.
  - If the selection is a menu item, the default menu setting for the menu item appears. (The current user default menu setting has an asterisk (\*) beside it.)

Each menu item has a list of values for the menu item. A value can be:

- A phrase or word to describe a setting
  - A numerical value that can be changed
  - An On or Off setting
  - Press ▼ ▲ at the same time. This will recover the factory default menu settings.
4. Press ▼ ▲ to scroll until the desired value appears.
  5. Press ⏴ .  
This enables the setting value, which is indicated by an asterisk (\*) next to the setting value.
  6. Press **Cancel** or ⏴ to return to the previous menu.  
To continue setting other items, select the desired menu. To quit setting new values, press **Cancel**.

User default menu settings remain in effect until you save new settings or restore the factory defaults. Settings you choose from your software program can also change or override the user default menu settings you select from the operator panel.

 **NOTE:** Settings you choose from your software program may override the settings you select from the operator panel.

## Using the Dell Printer Configuration Web Tool to Change Printer Settings

If your printer is connected to the network, you can change the operator panel settings from your Web browser. If you are a network administrator, you can clone the printer settings of one printer to one or all printers on the network.

Type your network printer IP address in your Web browser. Choose **Printer Settings** from the topics list, and then select the printer settings you want to change.

To copy your printer settings to another printer on the network, choose **Copy Printer Settings** from the topics list, and then type the other printer's IP address.

If you do not know your printer IP address, it is specified on the Printer Settings page. To print a Printer Settings page:

1. Press **Menu**.
2. Press ▼ until **Configure** appears, and then press ► or ⏴ .
3. Press ▼ until **Reports** appears, and then press ► or ⏴ .
4. **Printer Settings** is displayed. Press ⏴ .  
The Printer Settings page is printed.

## Initializing NVRAM

You can restore the original factory default menu settings by initializing NVRAM.

1. Press **Menu**.
2. Press ▼ until `Configure` appears, and then press ► or ⏴.
3. Press ▼ until `Maintenance` appears, and then press ► or ⏴.
4. Press ▼ until `Init NVRAM` appears, and then press ► or ⏴.
5. The `Init NVRAM Are you sure?` message appears on the operator panel. Press ⏴.
6. Turn off the printer, and then on again.

## Initializing NVRAM from Network settings

You can initialize IP Address by initializing NVRAM from Network settings.

1. Press **Menu**.
2. Press ▼ until `Configure` appears, and then press ► or ⏴.
3. Press ▼ until `Network` appears, and then press ► or ⏴.
4. Press ▼ until `Init NVRAM` appears, and then press ► or ⏴.
5. The `Init NVRAM Are you sure?` message appears on the operator panel. Press ⏴.
6. Turn off the printer, and then on again.

# Understanding Printer Menus

When your printer is configured as a network printer available to a number of users, the access to the `Configure` menus can be limited. This prevents other users from using the operator panel to inadvertently change a printer user default that has been set by the administrator. In this case, you can access the `Stored Print`, `Tray Settings`, and `Replace Toner` menus only.

However, you can use your printer driver to override printer user defaults and select settings for individual print jobs.

• [Using the Printer Menus](#)

• [Setting of Panel Lock](#)

---

## Using the Printer Menus

### Stored Print

This menu provides applicable printing services such as `Secure Print` and `Proof Print`.

#### Secure Print

**Purpose:**

To print confidential jobs. The printer can hold the job in memory until you arrive at the printer and type the password on the operator panel. This requires 320 MB or more of RAM to be enabled. In addition, set the `RAM Disk` setting to `On`.

**Values:**

Del after Print	Prints the job, and then deletes it from printer memory.
Save afterPrint	Prints the job, and then saves it in printer memory.
Delete	Deletes the job from printer memory.

#### Proof Print

**Purpose:**

To print only one copy and check the print result before printing all of the copies. This prevents a large number of misprinted copies from being printed at one time. This requires 320 MB or more of RAM to be enabled. In addition, set the `RAM Disk` setting to `On`.


**Values:**

Del after Print	Prints the job, and then deletes it from printer memory.
Save afterPrint	Prints the job, and then saves it in printer memory.

Delete	Deletes the job from printer memory.
--------	--------------------------------------

## Tray Settings

Use the Tray Settings menu to define the print media loaded in each tray.

 **NOTE:** Values marked by an asterisk (\*) are the factory default menu settings.

## Paper Type

### Purpose:

To specify the type of paper loaded in each tray.

### Values:

Tray 1 *1	Plain 1
	Plain 2
Tray 2 *1	Plain 1
	Plain 2
MPF	Plain 1
	Plain 2
	Transparency
	Covers 1
	Covers 2
	Label
	Coated 1
	Coated 2
	Envelope
	Plain 1 S2
	Plain 2 S2
	Covers 1 S2
	Covers 2 S2
	Coated 1 S2
	Coated 2 S2

\*1 Only displayed when an optional 250-sheet tray module or 500-sheet tray module is installed on the printer.

# Paper Size

## Purpose:

To specify the paper size for each tray.

## Values:

Tray 1 *4	Letter *1
	B5
	A5
	A4 *1
	Executive
	Legal *3
	8.5 x 13" *3
Tray 2 *4	Letter *1
	B5 *2
	A5 *2
	A4 *1
	Executive *2
	Legal *2, 3
	8.5 x 13" *2, 3
MPF	Letter
	B5
	A5
	A4
	Executive
	Legal
	8.5 x 13"
	Envelope #10
	Monarch
	DL
	C5
	Free Size *

	Monarch LEF
	DL LEF

\*1 Denotes country-specific factory default values.

\*2 Available for the optional 250-sheet tray module only.

\*3 Available for the optional 250-sheet tray module (Legal Cassette) only.

\*4 Only displayed when an optional 250-sheet tray module or 500-sheet tray module is installed on the printer.

**Use this menu item to:**

- Optimize print quality for the specified paper.
- Select paper source through your software program by selecting type and size.
- Automatically link trays. The printer automatically links any trays containing the same type and size of paper, if you have set the Paper Type and Paper Size to the correct values.

## Replace Toner

Use the Replace Toner menu to select the color of the toner cartridge that you need to replace.

**Values:**


Cyan Toner(C)	Magenta Toner(M)
Yellow Toner(Y)	Black Toner(K)

## Configure

Use the Configure menu to configure a variety of printer features.

### Basic Settings

Use the Basic Settings menu to configure the basic printer settings.

 **NOTE:** Values marked by an asterisk (\*) are the factory default menu settings.

### Power Saver Time

**Purpose:**

To specify the amount of time the printer waits after a job is printed before it goes into the power saver mode.

**Values:**

1–60 min	Specifies the amount of time before the printer enters power saver mode after it finishes a print job.
15 min*	



Enter 1 to put the printer in power saver mode one minute after it finishes a print job. This uses much less energy, but requires more warm-up time for the printer. Enter 1 if your printer shares an electrical circuit with room lighting and you notice lights flickering.

Select a high value if your printer is in constant use. Under most circumstances, this keeps the printer ready to print with minimum warm-up time. Select a value between 1 and 60 minutes for power save mode if you want a balance between energy consumption and a shorter warm-up period.

The printer automatically returns to the print mode from the power saver mode when it receives data from the computer. You can also return the printer to the print mode by pressing any button on the operator panel.

## Error Alarm

### Purpose:

To establish whether the printer sounds an alarm when an error occurs.

### Values:

Off*	Does not sound an alarm when an error occurs.
On	Sounds an alarm when an error occurs.

## Job Timeout

### Purpose:

To specify the amount of time the printer waits to receive additional bytes of data from the computer. When this timeout expires, the print job is canceled.

### Values:

Off	Disables the job timeout.
5–300 sec	Specifies the amount of time the printer waits for additional data before it cancels the job.
30 sec*	

## Panel Language

### Purpose:

To determine the language of the text on the operator panel screen.

### Values:

--	--

English*	French
Italian	German
Spanish	

## Auto Log Print

### Purpose:

To specify whether the printer outputs logs automatically.

### Values:

Off*	Does not print the logs.
On	Prints the logs.

Print logs can also be printed using the Reports menu.

### See also:

"[Reports](#)"


## ID Print

### Purpose:

To specify a location where the user ID is printed.

### Values:

Off*	Does not print the user ID.
Top Left	Prints the user ID on the top left of the page.
Top Right	Prints the user ID on the top right of the page.
Bottom Left	Prints the user ID on the bottom left of the page.
Bottom Right	Prints the user ID on the bottom right of the page.

 **NOTE:** When printing on DL size paper, a part of the user ID may not be printed correctly.

## Text Print

**Purpose:**

To specify whether the printer outputs PDL data, which is not supported by the printer, as text when the printer receives it. Text data is printed on A4 or Letter size paper.

**Values:**

Off	Does not print the received data.
On*	Prints the received data as text data.

**Banner Sheet****Purpose:**

To specify the position of banner sheet, and also specify the tray in which the banner sheet is loaded.

**Values:**

Position	Off*	Does not print the banner sheet.
	Top	Prints on the beginning of document.
	Bottom	Prints on the end of document.
	Top & Bottom	Prints on both beginning and end of document.
Input Tray	Tray 1* <sup>*1</sup>	The banner sheet is loaded in tray 1.
	Tray 2* <sup>*2</sup>	The banner sheet is loaded in tray 2.
	MPF	The banner sheet is loaded in multipurpose feeder.

\*1 Only displayed when an optional 250-sheet tray module or 500-sheet tray module is installed on the printer.

\*2 Only displayed when two optional tray modules are installed on the printer.


**RAM Disk****Purpose:**

To allocate memory to the RAM Disk file system for the Secure Print and Proof Print features.

The change becomes effective after the printer is turned off and then on again.

**Values:**

Off*	Does not allocate memory to the RAM Disk file system. Proof Print jobs will abort and be recorded to the job log.
On	Allocates memory to the RAM Disk file system automatically.

 **NOTE:** The RAM Disk menu is only displayed when 320 MB or more of additional RAM is installed on the printer.

## Substitute Tray

### Purpose:

Specifies whether or not to use another size paper when the paper that is loaded in the specified tray does not match the paper size settings for the current job.

### Values:

Off*	No tray size substitute accepted.
Larger Size	Substitutes paper of next largest size. When there is no larger paper size, the printer substitutes paper of nearest size.
Nearest Size	Substitutes paper of nearest size.
MPF Feed	Substitutes paper from the multipurpose feeder.

## Maintenance

Use the Maintenance menu to initialize the NV (non-volatile) memory, configure the plain paper quality adjustment settings, and configure the security settings.

## Paper Density

### Purpose:

To specify the paper density.

### Values:

Plain 1	Light
	Normal*
Label	Label 1
	Label 2*

## BTR Adj

### Purpose:

To specify the value of the reference voltage for the transfer roller.

### Values:

Plain 1	0-15
	5*
Plain 2	0-15
	5*
Transparency	0-15
	5*
Covers 1	0-15
	5*
Covers 2	0-15
	5*
Label	0-15
	5*
Coated 1	0-15
	5*
Coated 2	0-15
	5*
Envelope	0-15
	5*


## Init NVRAM

**Purpose:**

To initialize the NV (non-volatile) memory. After executing this function and rebooting the printer, all the menu parameters are reset to their default values.

**Clear Storage****Purpose:**

To clear all files that are stored as Secure and Proof Print in the RAM Disk.

 **NOTE:** The Clear Storage menu is only displayed when the RAM Disk is set to Auto.

**Non-Dell Toner****Purpose:**


To specify whether to use the refilled Toner Cartridge or not. When this setting is On, you can use Toner Cartridges provided by other companies.

**Values:**

Off*	Disables the use of refilled toner cartridges.
On	Enables the use of refilled toner cartridges.

**Parallel**

The Parallel menu can be adjusted to configure the parallel interface.

 **NOTE:** Values marked by an asterisk (\*) are the factory default menu settings.

**ECP****Purpose:**

To specify the ECP communication mode of the parallel interface.

The change becomes effective after the printer is turned off and then on again.

**Values:**

On*	The ECP communication mode is enabled.
Off	The ECP communication mode is disabled.

## Reports

Use the `Reports` menu to print various types of reports and lists.

### Printer Settings

**Purpose:**

To print a list of the current user default values, the installed options, the amount of installed printer memory, and the status of printer supplies.

### Panel Settings

**Purpose:**

To print a detailed list of all the settings on the operator panel menus.

### PCL Fonts List

**Purpose:**

To print a sample of the available PCL fonts.

**See also:**

"[Understanding Fonts](#)," "[Printing a Font Sample List](#)"

### Job History

**Purpose:**

To print a detailed list of the processed print jobs. This list contains the latest 20 print jobs.

### Error Log

**Purpose:**

To print an error history.

### Stored Documents

**Purpose:**

To print a list of all files that are stored as Secure and Proof Print in the RAM Disk.

## Network

Use the **Network** menu to change printer settings affecting jobs sent to the printer through a network port.

## Ethernet

### Purpose:

To specify the communication speed and the duplex settings of Ethernet.

The change becomes effective after the printer is turned off and then on again.

### Values:

Auto*	Detects the Ethernet settings automatically.
10Base Half	Uses 10base-T half-duplex.
10Base Full	Uses 10base-T full-duplex.
100Base Half	Uses 100base-TX half-duplex.
100Base Full	Uses 100base-TX full-duplex.

## TCP/IP

### Purpose:

To specify the TCP/IP settings.

The change becomes effective after the printer is turned off and then on again.

### Values:

IP AddressSetup	AutoIP*	Automatically sets the IP address.
	BOOTP	Uses BOOTP to set the IP address.
	RARP	Uses RARP to set the IP address.
	DHCP	Uses DHCP to set the IP address.
	Panel	Enables the IP address entered on the operator panel.
IP Address		Displays the IP address allocated to the printer by using the keys on the operator panel.
Subnet Mask		Displays the subnet mask.
		Displays the gateway address.



Gateway Address	
-----------------	--

## Protocol

### Purpose:

To enable or disable each item.

The change becomes effective after the printer is turned off and then on again.

### Values:

LPD	On*	Enables the LPD port.	
	Off	Disables the LPD port.	
Port9100	On*	Enables the Port9100 port.	
	Off	Disables the Port9100 port.	
FTP	On*	Enables the FTP port.	
	Off	Disables the FTP port.	
SNMP	UDP	On*	Enables the UDP.
		Off	Disables the UDP.
E-Mail Alert	On*	Enables the E-Mail Alert feature.	
	Off	Disables the E-Mail Alert feature.	
EWS	On*	Enables an access to <b>Dell Printer Configuration Web Tool</b> embedded in the printer.	
	Off	Disables an access to <b>Dell Printer Configuration Web Tool</b> embedded in the printer.	

## IP Filter

### Purpose:

To specify the reception of data from certain IP addresses for blocking. You can set up to five IP addresses.

The change becomes effective after the printer is turned off and then on again.

### Values:

		Sets the IP address for Filter <i>n</i> .
--	--	---

Filter <i>n</i> ( <i>n</i> is 1 to 5.)	Address		
	Mask		Sets the mask for Filter <i>n</i> .
	Mode	Off*	Disable the IP Filter feature for Filter <i>n</i> .
		Accept	Accepts an access from specified IP address.
		Reject	Rejects an access from specified IP address.


## Init NVRAM

### Purpose:

To initialize network data stored in NVRAM.

## PCL

Use the PCL to change printer settings that only affect jobs using the PCL emulation printer language.

 **NOTE:** Values marked by an asterisk (\*) are the factory default menu settings.

## Input Tray

### Purpose:

To specify the input tray.

### Values:

Auto*	Automatically selects a tray according to the paper size and type settings of the job being printed except for the multipurpose feeder.
Tray 1* <sup>1</sup>	The paper is fed from the optional 250-sheet tray module.
Tray 2* <sup>2</sup>	The paper is fed from the optional 250-sheet tray module or 500-sheet tray module.
MPF	The paper is fed from the multipurpose feeder.

\*1 Only displayed when an optional 250-sheet tray module installed on your printer.

\*2 Only displayed when two optional tray modules are installed on your printer.

## Paper Size

### Purpose:

To specify the default paper size.

**Values:**

Letter <sup>*1</sup>	B5
A5	A4 <sup>*1</sup>
Executive	8.5 x 13"
Legal	Envelope #10
Monarch	DL
C5	

\*1 Denotes country-specific factory default values.

**Orientation**

**Purpose:**

To specify how text and graphics are oriented on the page.

**Values:**

Portrait*	Prints text and graphics parallel to the short edge of the paper.
Landscape	Prints text and graphics parallel to the long edge of the paper.

**Duplex**

**Purpose:**

To set duplexing as the default for all print jobs. (Select Duplex from the printer driver to duplex only specific jobs.)

**Values:**

Duplex Print	Off*	Prints on one side of the paper.
	On	Prints on both sides of the paper.
Binding	Long Edge*	Assumes binding along the long edge of the page. (Left edge for portrait orientation and top edge for landscape orientation)

Short  
Edge

Assumes binding along the short edge of the page. (Top edge for portrait orientation and left edge for landscape orientation)



**NOTE:** The Duplex menu is only available when an optional duplex module has been installed on the printer.

## Font

### Purpose:

To specify the default font from the registered fonts in the printer.

### Values:

CG Times	CG Times It	CG Times Bd
CG Times BdIt	Univers Md	Univers MdIt
Univers Bd	Univers BdIt	Univers MdCd
Univers MdCdIt	Univers BdCd	Univers BdCdIt
AntiqueOlv	AntiqueOlv It	AntiqueOlv Bd
CG Omega	CG Omega It	CG Omega Bd
CG Omega BdIt	GaramondAntiqua	Garamond Krsv
Garamond Hlb	GaramondKrvHlb	Courier*
Courier It	Courier Bd	Courier BdIt
LetterGothic	LetterGothic It	LetterGothic Bd
Albertus Md	Albertus XBd	Clarendon Cd
Coronet	Marigold	Arial
Arial It	Arial Bd	Arial BdIt
Times New	Times New It	Times New Bd
Times New BdIt	Symbol	Wingdings
Line Printer	Times Roman	Times It
Times Bd	Times BdIt	Helvetica

Helvetica Ob	Helvetica Bd	Helvetica BdOb
CourierPS	CourierPS Ob	CourierPS Bd
CourierPS BdOb	SymbolPS	Palatino Roman
Palatino It	Palatino Bd	Palatino BdIt
ITCBookman Lt	ITCBookman LtIt	ITCBookmanDm
ITCBookmanDm It	HelveticaNr	HelveticaNr Ob
HelveticaNr Bd	HelveticaNrBdOb	N C Schbk Roman
N C Schbk It	N C Schbk Bd	N C Schbk BdIt
ITC A G Go Bk	ITC A G Go BkOb	ITC A G Go Dm
ITC A G Go DmOb	ZapfC MdlIt	ZapfDingbats

## Symbol Set

### Purpose:

To specify a symbol set for a specified font.

### Values:

ROMAN-8*	ISO L1	ISO L2
ISO L5	ISO L6	PC-8
PC-8 DN	PC-775	PC-850
PC-852	PC-1004	PC-8 TK
WIN L1	WIN L2	WIN L5
DESKTOP	PS TEXT	MC TEXT
MS PUB	MATH-8	PS MATH
PI FONT	LEGAL	ISO-4
ISO-6	ISO-11	ISO-15
ISO-17	ISO-21	ISO-60

ISO-69	WIN 3.0	WINBALT
SYMBOL	WINGDINGS	DNGBTSMS

## Font Size


### Purpose:

To specify the font size for scalable typographic fonts.

### Values:

4.00 – 50.00	The values are in steps of 0.25.
12.00*	

Font size refers to the height of the characters in the font. One point equals approximately 1/72 of an inch.

 **NOTE:** The `Font Size` menu is only displayed for typographic fonts.

### See also:

["Pitch and Point Size"](#)

## Font Pitch


### Purpose:

To specify the font pitch for scalable monospaced fonts.

### Values:

6.00 – 24.00	The values are in steps of 0.01.
10.00*	

Font pitch refers to the number of fixed-space characters in a horizontal inch of type. For nonscalable monospaced fonts, the pitch is displayed, but cannot be changed.

 **NOTE:** The `Font Pitch` menu is only displayed for fixed, or monospaced, fonts.

### See also:

["Pitch and Point Size"](#)

## Form Line

**Purpose:**

To set the number of lines in a page.

**Values:**

5 – 128	The values are in steps of 1.
64*	

The printer sets the amount of space between each line (vertical line spacing) based on the `Form Line` and `Orientation` menu items. Select the correct `Form Line` and `Orientation` before changing `Form Line`.

**See also:**

"[Orientation](#)", "[Paper Size](#)"

**Quantity****Purpose:**

To set the number of copies you want for the printer default value. (Set the number of copies required for a specific job from the printer driver. Values selected from the printer driver always override values selected from the operator panel.)

**Values:**

1_999	The values are in steps of 1.
1*	

**Image Enhance****Purpose:**

To specify whether to perform the image enhancement feature. Image enhancement is a feature that makes the boundary line between black and white smoother to decrease jagged edges and enhance the visual appearance.

**Values:**

On*	Enables to perform the image enhancement feature.
Off	Disables to perform the image enhancement feature.

**Hex Dump**

**Purpose:**

To help isolate the source of a print job problem. With Hex Dump selected, all data sent to the printer is printed in hexadecimal and character representation. Control codes are not executed.

**Values:**

Off*	Disables the Hex Dump feature.
On	Enables the Hex Dump feature.

**Draft Mode****Purpose:**

To save toner by printing in the draft mode. The print quality is reduced when printing in the draft mode.

**Values:**

Off*	Does not print in the draft mode.
On	Prints in the draft mode.

**Line Termination****Purpose:**

To add the line termination commands.

**Values:**

Off*	The line termination command is not added. CR=CR, LF=LF, FF=FF
Add-LF	The LF command is added. CR=CR-LF, LF=LF, FF=FF
Add-CR	The CR command is added. CR=CR, LF=CR-LF, FF=CR-FF
CR - XX	The CR and LF commands are added. CR=CR-LF, LF=CR-LF, FF=CR-FF

**Color Mode****Purpose:**

To specify the color mode to Color or Black. This setting is used when the color printing mode setting is not specified for the print job that is sent to the printer.




**Value:**

Black*	Prints in the black and white mode.
Color	Prints in the color mode.

## Security

Use the *Security* menu to set a password to limit access to the menus. This prevents items from being change accidentally.

 **NOTE:** Values marked by an asterisk (\*) are the factory default menu settings.

**See also:**

["Setting of Panel Lock"](#)

### Panel Lock

**Purpose:**

To limit access to the menus.

**Values:**

Off*	Does not limit access to the menus.
On	Limits access to the menus.

### Change Password

**Purpose:**

To set a password to limit access to the menus.


**Values:**

0000–9999
0000*


---


## Setting of Panel Lock

This feature prevents unauthorized personnel from changing settings made by the printer administrator. For regular printing, items can be selected from the menu and printer settings remain unchanged. For regular printing, items can be configured using the printer driver.

 **NOTE:** Disabling the operator panel menus does not prevent access to the Stored Print, Tray Settings, and Replace Toner menus.

1. Press **Menu**.
2. Press ▼ until `Configure` appears, and then press ► or ⏴.
3. Press ▼ until `Security` appears, and then press ► or ⏴.
4. `Panel Lock` is displayed. Press ► or ⏴.
5. Press ▼ until `On` appears, and then press ⏴.
6. Press ◀.
7. Press ▼ until `Change Password` appears, and then press ► or ⏴.
8. Enter the old password (when you enter it for the first time after doing the settings, enter 0000), and then press ⏴.
9. Enter the new password, and then press ⏴.
10. Reenter the password to confirm the password that you entered, and then press ⏴.  
The password has been changed.

 **NOTE:** If you forget your password, turn off the printer. Then, while holding **Menu**, turn on the printer. Continue to hold **Menu** until the display indicates `Ready to Init`. Release **Menu** and press ⏴. Press ◀ to select `Yes`, then press ⏴. The display will briefly indicate `Password has been initialized`. This will recover the factory default panel password.

 **NOTE:** If panel lock is `On`, the factory-default panel password is 0000.

**See also:**

["Change Password"](#)

## Enabling Menus

1. Press **Menu**.
2. Press ▼ until `Configure` appears, and then press ► or ⏴.
3. Press ▼ until `Security` appears, and then press ► or ⏴.
4. `Panel Lock` is displayed. Press ► or ⏴.
5. Press ▼ until `Off` appears, and then press ⏴.

# Understanding Your Printer Software

Use the *Drivers and Utilities* CD that came with your printer to install a combination of software programs, depending on your operating system.

## Printing Status Window

The **Printing Status Window** alerts you when an error or warning occurs, for example, when the top cover is open or toner is running low.

The **Printing Status Window** always launches when printing. When an error occurs, the error message appears on the **Printing Status Window**.

## Status Window

On the **Status Window**, you can check how much toner and paper are remaining or the configuration of options for the local printer.

## Status Monitor Console

Use the **Status Monitor Console** to manage multiple **Status Window**.

- Select a printer from the list view (or **Printer Selection**) by clicking its name to open a **Status Window** or **Dell Printer Configuration Web Tool** for a particular printer.
- Select **Help** to read the online help.
- The **Status Monitor Console** displays the **Status Window** for local connections, or the **Dell Printer Configuration Web Tool** for network connections.

## Dell Supplies Management System

You can launch the **Dell Supplies Management System** dialog box from the **Printing Status** window, the **All Programs** menu, or the desktop icon. You can also launch it from the **Status Window** when a toner error occurs.

You can order consumables by phone or from the web.

1. Click **Start** ® **All Programs** ® **Dell Printers** ® **Dell Laser Printer 3000cn** ® **Dell Supplies Management System**.

The **Dell Supplies Management System** window appears.

2. If ordering from the Web:
  - a. When you cannot get information from the printer automatically by two-way communication, a window that prompts you to type the Service Tag number appears. Type your Dell printer Service Tag number in the field provided.  
Your Service Tag number is located inside the front door of your printer.
  - b. Click **Visit Dell printer supplies ordering web site**.

3. If ordering by phone, call the number that appears under the **By Telephone** heading.

## User Setup Disk Creating Tool

The **User Setup Disk Creating Tool** program located in the **MakeDisk** folder of the **Utilities** folder on the *Drivers and Utilities* CD and the printer drivers located on the *Drivers and Utilities* CD are used to create driver installation packages that contain custom driver settings. A driver installation package can contain a group of saved printer driver settings and other data for things such as:

- Print orientation and Multiple Up (document settings)
- Watermarks
- Font references

If you want to install the printer driver with the same settings to multiple computers running the same operating system, create a setup disk in a floppy disk or in a server on the network. Using the setup disk that you have created will reduce the amount of work required when installing the printer driver.

- Install in advance the Dell Laser Printer 3000cn printer driver in the computer on which the setup disk is to be created.
- The setup disk can only be used on the operating system on which the disk was created or computers running the same operating system. Create a separate setup disk for different types of operating systems.

## Software Update

The firmware and/or driver updates can be downloaded from <http://support.dell.com/>.

# Printing

This chapter covers tips for printing, how to print certain lists of information from your printer, and how to cancel a job.


- [Tips for Successful Printing](#)
  - [Sending a Job to Print](#)
  - [Canceling a Print Job](#)
  - [Printing a Printer Settings Page](#)
  - [Printing a Font Sample List](#)
  - [Using the Print and Hold Function](#)
- 

## Tips for Successful Printing

### Tips on Storing Print Media

Store your print media properly. For more information, see "[Storing Print Media](#)."

### Avoiding Jams

 **NOTE:** Dell recommends that you try a limited sample of any print media you are considering using with the printer before purchasing large quantities.

By selecting appropriate print media and loading it properly, you are able to avoid most jams. See the following for instructions on loading print media:

- "[Loading Print Media in Optional Trays](#)" (which includes the optional 250-sheet tray module and 500-sheet tray module)
- "[Loading the Multipurpose Feeder](#)"
- "[Avoiding Jams](#)"

If you experience a jam, see "[Clearing Jams](#)" for instructions.

---

## Sending a Job to Print

To support all of the printer features, use the printer driver. When you choose **Print** from a software program, a window representing the printer driver opens. Select the appropriate settings for the specific job you are sending to print. Print settings selected from the driver override the default menu settings selected from the printer operator panel.

You may need to click **Properties** or **Setup** from the initial Print box to see all of the available printer settings you can change. If you are not familiar with a feature in the printer driver window, open the online Help for more information.

To print a job from a typical Windows application:

1. Open the file you want to print.
2. From the **File** menu, select **Print**.
3. Verify that the correct printer is selected in the dialog box. Modify the printer settings as appropriate (such as the

pages you want to print or the number of copies).

4. Click **Properties** or **Setup** to adjust printer settings not available from the first screen, and then click **OK**.
  5. Click **OK** or **Print** to send the job to the selected printer.
- 

## Canceling a Print Job

There are several methods for canceling a print job.

### Canceling From the Printer Operator Panel

To cancel a print job after it has started printing:

1. Press **Cancel**.  
Printing is canceled.

### Canceling a Job From the Computer Running Windows

#### Canceling a Job From the Taskbar

When you send a job to print, a small printer icon appears in the right corner of the taskbar.

1. Double-click the printer icon.  
A list of print jobs appears in the printer window.
2. Select the job you want to cancel.
3. Press <Delete> on the keyboard.

#### Canceling a Job From the Desktop

1. Minimize all programs to reveal the desktop.
  2. Click **Start** ® **Printers and Faxes**.  
A list of available printers appears.
  3. Double-click the printer you selected when you sent the job.  
A list of print jobs appears in the printer window.
  4. Select the job you want to cancel.
  5. Press <Delete> on the keyboard.
- 

## Printing a Printer Settings Page

To verify detailed printer settings, print a Printer Settings page. A printed Printer Settings page also allows you to verify whether or not options have been installed properly.

See "[Understanding Printer Menus](#)" to identify the display and operator panel buttons if you need help.

1. Press **Menu**.
2. Press ▼ until `Configure` appears, and then press ► or ⏴.
3. Press ▼ until `Reports` appears, and then press ► or ⏴.
4. `Printer Settings` is displayed, and then press ⏴.  
The `Printer Settings` page is printed.

The message `Printer Settings Printing` appears while the page prints. The printer returns to the `Ready to Print` message after the `Printer Settings` page prints.

If any other message appears when you print this page, see "[Understanding Printer Messages](#)" for more information.

---

## Printing a Font Sample List

To print a listing of the fonts available to the PCL emulator:


1. Press **Menu**.
2. Press ▼ until `Configure` appears, and then press ► or ⏴.
3. Press ▼ until `Reports` appears, and then press ► or ⏴.
4. Press ▼ until `PCL Fonts List` appears.
5. Press ⏴.


The message `PCL Fonts List Printing` appears and remains on the operator panel until the page prints. The printer returns to the `Ready to Print` state after the font sample list prints.


---

## Using the Print and Hold Function

When you send a job to the printer, you can specify in the driver that you want the printer to hold the job in memory. When you are ready to print the job, you must go to the printer and use the operator panel menus to identify which job in the memory you want to print. You can use this function to print a confidential job (`Secure Print`), or verify one copy before printing additional copies (`Proof Print`).

 **NOTE:** The printer holds the job until you delete it by using the operator panel or you turn off the printer.

 **NOTE:** Print and Hold functions require a minimum of 320 MB available printer memory. Also, you need to configure the RAM disk settings on either the operator panel or the printer driver.

 **NOTE:** Depending on the documents, its job may be too big for the available memory. In this case, an error occurs.

## Printing and Deleting Held Jobs

Once held jobs are stored in printer memory, you can use the printer operator panel to specify what you want to do with one or more of the jobs. You can select either `Secure Print` and `Proof Print` from the "[Stored Print](#)." Then, you select your user name from a list. If you select `Secure Print`, you must type the password you specified in the driver when you sent the job. See "[Secure Print](#)" for more information.

From either the Secure Print and Proof Stored Print items, you have three choices:

- Del after Print
- Save after Print
- Delete

## Accessing Held Jobs From the Operator Panel

1. Press **Menu**.
2. `Stored Print` is displayed. Press **▶** or **⏴**.
3. `Secure Print` is displayed. Press **▶** or **⏴**.
4. Press **▼** until your user name appears, and then press **▶** or **⏴**.
5. If you print confidential jobs (Secure Print jobs), enter the password you have specified on the printer driver, and then press **⏴**.
6. Press **▼** until the job you want to print appears, and then press **▶** or **⏴**.
7. Press **▼** until the way you want to print appears, and then press **⏴**.
8. Enter the print quantity, and then press **⏴**.  
When you select `Select All` in step 6 and the print quantity has been set on the computer, select `Default` in `Doc`, and then press **⏴**. When you select a document in step 6, the number of copies that is specified in the printer driver appears.

## Accessing the Proof Print Jobs


1. Press **Menu**.
2. `Stored Print` is displayed. Press **▶** or **⏴**.
3. Press **▼** until `Proof Print` appears, and then press **▶** or **⏴**.
4. Press **▼** until your user name appears, and then press **▶** or **⏴**.
5. Press **▼** until the job you want to print appears, and then press **▶** or **⏴**.
6. Press **▼** until the way you want to print appears, and then press **▶**.
7. Enter the print quantity, and then press **⏴**.  
When you select `Select All` in step 5 and the print quantity has been set on the computer, select `Default` in `Doc`, and then press **⏴**. When you select a document in step 5, the number of copies that is specified in the printer driver appears.


## Proof Print

If you send a Proof Print job, the printer prints one copy and holds the remaining copies you requested from the driver in printer memory. Use Proof Print function to examine the first copy to see if it is satisfactory before printing the remaining copies.



See "[Printing and Deleting Held Jobs](#)" if you need help printing the additional copies stored in memory.

 **NOTE:** The printer holds the job until you delete it by using the operator panel or you turn off the printer.

 **NOTE:** When you select `Del` after `Print`, the held job is automatically deleted after printing.


## Secure Print

When you send a job to the printer, you can specify a password from the driver. The password must be 0 to 12 digits using the numbers 0 to 9. If you do not enter the password from the printer driver, it is not required at the operation panel. This function is called "Store Print". The job is then held in printer memory until you enter the same 12-digit password from the printer operator panel and choose to print or delete the job. This ensures that the job does not print until you are there to retrieve it, and no one else using the printer can print the job.


When you select `Secure Print` from `Stored Print` after selecting your user name, the following prompt is displayed:


```
Enter Password  
[xxxxxxxxxxxx]
```

Use the buttons on the operator panel to enter the 12-digit password associated with your confidential job. As you enter the password, the password you entered is displayed to ensure confidentiality.

If you enter an invalid password, the message `Incorrect Password` appears. Wait three seconds, or Press  or **Cancel** to return to the screen for user selection.

When you enter a valid password, you have access to all print jobs matching the user name and password you entered. The print jobs matching the password you entered appear on the screen. You can then choose to print or delete jobs matching the password you entered. (See "[Printing and Deleting Held Jobs](#)" for more information.)

 **NOTE:** The printer holds the job until you delete it by using the operator panel or you turn off the printer.

 **NOTE:** When you select `Del` after `Print`, the held job is automatically deleted after printing.

# Setting Up for Shared Printing

● [Point and Print](#)

● [Peer-to-Peer](#)

You can share your new printer on the network using the *Drivers and Utilities* CD that shipped with your printer, or using Microsoft's point and print or peer-to-peer method. However, if you use one of the Microsoft methods, you will not have all of the features, such as the status monitor and other printer utilities, that are installed with the *Drivers and Utilities* CD.

To share a locally-attached printer on the network, you need to share the printer, and then install the shared printer on network clients:

1. Click **Start** ® **Settings** ® **Printers**.
2. Right-click this printer icon and select **Properties**.
3. From the **Sharing** tab, check the **Shared** check box, and then type a name in the **Shared as** text box.
4. Click **Additional Drivers** and select the operating systems of all network clients printing to this printer.
5. Click **OK**.  
If you are missing files, you are prompted to insert the server operating system CD.

To check that the printer was successfully shared:

- Make sure the printer object in the **Printers** folder shows it is shared. For example, in Windows 2000, a hand is shown underneath the printer icon.
- Browse **Network Neighborhood**. Find the host name of the server and look for the shared name you assigned to the printer.

Now that the printer is shared, you can install the printer on network clients using the point and print method or the peer-to-peer method.

---

## Point and Print

This method is usually the best use of system resources. The server handles driver modifications and print job processing. This lets network clients return to their programs much faster.

If you use the point and print method, a subset of driver information is copied from the server to the client computer. This is just enough information to send a print job to the printer.

1. On the Windows desktop of the client computer, double-click **Network Neighborhood**.
2. Locate the host name of the server computer, and then double-click the host name.
3. Right-click the shared printer name, and then click **Install**.

Wait for the driver information to copy from the server computer to the client computer, and for a new printer object to be added to the **Printers** folder. The time this takes varies, based on network traffic and other factors. Close **Network Neighborhood**.

4. Print a test page to verify print installation.
5. Click **Start** ® **Settings** ® **Printers**.
6. Select the printer you just created.

7. Click **File** ® **Properties**.
8. From the **General** tab, click **Print a Test Page**.

When a test page prints successfully, printer installation is complete.

---

## Peer-to-Peer

If you use the peer-to-peer method, the printer driver is fully installed on each client computer. Network clients retain control of driver modifications. The client computer handles the print job processing.

1. Click **Start** ® **Settings** ® **Printers**.
2. Click **Add Printer** to launch the **Add Printer** wizard.
3. Click **Network Print Server**.
4. Select the network printer from the **Shared printers** list. If the printer is not listed, type in the path of the printer in the text box.  
For example: \\<server host name>\<shared printer name>  
The server host name is the name of the server computer that identifies it to the network. The shared printer name is the name assigned during the server installation process.
5. Click **OK**.  
If this is a new printer, you may be prompted to install a printer driver. If no system driver is available, then you will need to provide a path to available drivers.
6. Select whether you want this printer to be the default printer for the client, and then click **Finish**.
7. Print a test page to verify printer installation:
  - a. Click **Start** ® **Settings** ® **Printers**.
  - b. Select the printer you just created.
  - c. Click **File** ® **Properties**.
  - d. From the **General** tab, click **Print a Test Page**.  
When a test page prints successfully, printer installation is complete.

# Understanding Fonts

- [Typefaces and fonts](#)
  - [Bitmapped and Scalable Fonts](#)
  - [Resident Fonts](#)
  - [Symbol Sets](#)
- 

## Typefaces and fonts

A font is a set of characters and symbols created with a distinct design. The distinct design is called a typeface. The typefaces you select add personality to a document. Well-chosen typefaces make a document easier to read.

The printer has numerous resident fonts in PCL 6. See "[Resident Fonts](#)" for a listing of all resident fonts.

## Weight and style

Typefaces are often available in different weights and styles. These variations modify the original typeface so you can, for example, emphasize important words in text or highlight book titles. The different weights and styles are designed to complement the original typeface.

Weight refers to the thickness of the lines that form the characters. Thicker lines result in darker characters. Some words commonly used to describe the weight of a typeface are bold, medium, light, black, and heavy.

Style refers to other typeface modifications, such as tilt or character width. Italic and oblique are styles where the characters are tilted. Narrow, condensed, and extended are three common styles that modify the character widths.

Some fonts combine several weight and style modifications; for example, Helvetica Narrow Bold Oblique. A group of several weight and style variations of a single typeface is called a typeface family. Most typeface families have four variations: regular, italic (oblique), bold, and bold italic (bold oblique). Some families have more variations, as the following illustration for the Helvetica typeface family shows:

Helvetica	ABCDEFGHIJKLMNOabcdefghijklmnopqrstuvwxyz1234567890
<i>Helvetica Oblique</i>	<i>ABCDEFGHIJKLMNOabcdefghijklmnopqrstuvwxyz1234567890</i>
<b>Helvetica Bold</b>	<b>ABCDEFGHIJKLMNOabcdefghijklmnopqrstuvwxyz1234567890</b>
<b><i>Helvetica Bold Oblique</i></b>	<b><i>ABCDEFGHIJKLMNOabcdefghijklmnopqrstuvwxyz1234567890</i></b>
Helvetica Narrow	ABCDEFGHIJKLMNOabcdefghijklmnopqrstuvwxyz1234567890
<i>Helvetica Narrow Oblique</i>	<i>ABCDEFGHIJKLMNOabcdefghijklmnopqrstuvwxyz1234567890</i>
<b>Helvetica Narrow Bold</b>	<b>ABCDEFGHIJKLMNOabcdefghijklmnopqrstuvwxyz1234567890</b>
<b><i>Helvetica Narrow Bold Oblique</i></b>	<b><i>ABCDEFGHIJKLMNOabcdefghijklmnopqrstuvwxyz1234567890</i></b>

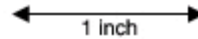
## Pitch and Point Size

The size of a font is specified as either a pitch or point size, depending on whether the font is fixed space or proportional.

In fixed space fonts, each character has the same width. Pitch is used to specify the size of fixed space fonts. It is a measure of the number of characters that will print in one horizontal inch of type. For example, all 10-pitch fonts print 10 characters per inch (cpi) and all 12-pitch fonts print 12 cpi:

Courier 10 Pitch 1234567890  
**Courier-Bold 10 Pitch 1234567890**

Courier 12 Pitch 123456789012  
**Courier-Bold 12 Pitch 123456789012**



In proportional (or typographic) fonts, every character can have a different width. Since proportional fonts have characters with different widths, the font size is specified in point size, not pitch. Point size refers to the height of the characters in the font. A point is defined as 1/72 inch. The characters in a font printed at 24 point will be twice as large as the characters in the same font printed at 12 point.

The following illustration shows samples of a font printed in different point sizes:

48 point 36 point

24 point 18 point 12 point 10 point

The point size of a font is defined as the distance from the top of the tallest character in the font to the bottom of the lowest character in the font. Due to the definition of point size, different fonts printed at the same point size may appear quite different in size. This is because there are other font parameters that affect how the font looks. However, the point size of a font is an excellent specification of the relative size of a font. The following examples illustrate two very different proportional fonts at 14 point:

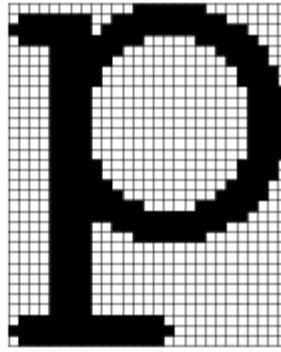
ITC Avant Garde  
abcdefghABCDEFGH  
*ITC Zapf Chancery*  
*abcdefghABCDEFGH*

---

## Bitmapped and Scalable Fonts

The printer uses both bitmapped and scalable fonts.

Bitmapped fonts are stored in printer memory as predefined patterns of bits that represent a typeface at a specific size, style, and resolution. The following illustration shows an example of a character from a bitmapped font.



Bitmapped fonts are available in different type styles and point sizes as downloadable fonts. Contact the place where you bought your printer for more information about downloadable fonts.

Scalable fonts (also called outline fonts) are stored as computer programs that define the outlines of the characters in the font. Each time you print characters from a scalable font, the printer creates a bitmap of the characters at the point size you choose and saves it temporarily in printer memory.



These temporary bitmapped fonts are deleted when you turn off or reset the printer. Scalable fonts provide the flexibility of printing in many different point sizes.

Your printer uses different scalable font formats for downloading fonts to the printer. PCL 6 uses Intellifont and TrueType scalable fonts. There are thousands of different scalable fonts available in these different font formats from numerous font suppliers.

If you plan to use many downloadable bitmapped or scalable fonts or if you plan to use many different sizes of scalable fonts, you may need to purchase additional memory for your printer.

---

## Resident Fonts

Your printer is equipped with resident fonts stored permanently in printer memory. Different fonts are available in different printer languages. Some of the most popular typefaces, like Courier and TimesNew, are available for all printer languages.

The following table lists all the fonts resident in your printer. See "[Printing a Font Sample List](#)" for instructions on how to print samples of the fonts. You can select the resident fonts from your software program or from the operator panel.

Resident scalable fonts (PCL6)
Albertus Medium
Albertus Extra Bold

Antique Olive
Antique Olive Italic
Antique Olive Bold
Arial
Arial Italic
Arial Bold
Arial Bold Italic
ITC Avant Garde Gothic Book
ITC Avant Garde Gothic Book Oblique
ITC Avant Garde Gothic Demi
ITC Avant Garde Gothic Demi Oblique
ITC Bookman Light
ITC Bookman Light Italic
ITC Bookman Demi
ITC Bookman Demi Italic
Clarendon Condensed
Coronet
CourierPS
CourierPS Oblique
CourierPS Bold
CourierPS Bold Italic
CG Omega
CG Omega Bold
CG Omega Italic
CG Omega Bold Italic
Garamond Antiqua
Garamond Halbfett
Garamond Kursiv
Garamond Kursiv Halbfett
Helvetica
Helvetica oblique
Helvetica Bold
Helvetica Bold oblique

Helvetica Narrow
Helvetica Narrow oblique
Helvetica Narrow Bold
Helvetica Narrow Bold oblique
CG Times
CG Times Italic
CG Times Bold
CG Times Bold Italic
Univers Medium
Univers Medium Italic
Univers Bold
Univers Bold Italic
Courier
Courier Italic
Courier Bold
Courier Bold Italic
Letter Gothic
Letter Gothic Italic
Letter Gothic Bold
Marigold
New Century Schoolbook Roman
New Century Schoolbook Italic
New Century Schoolbook Bold
New Century Schoolbook Bold Italic
Palatino Roman
Palatino Italic
Palatino Bold
Palatino Bold Italic
SymbolPS
Symbol
Times Roman
Times Italic
Times Bold
Times Bold Italic



Times New
Times New Italic
Times New Bold
Times New Bold Italic
Univers Medium Condensed
Univers Medium Condensed Italic
Univers Bold Condensed
Univers Bold Condensed Italic
Wingdings
ITC Zapf Chancery Medium Italic
ITC Zapf Dingbats
Line Printer

---

## Symbol Sets

A symbol set is the collection of alphabetic and numeric characters, punctuation, and special characters available in the font you select. Symbol sets support the requirements for different languages or specific applications, such as math symbols used for scientific text.

In PCL 6, a symbol set also defines which character will print for each key on the keyboard (or more specifically, for each *code point*). Some applications require different characters at some code points. To support multiple applications and languages, your printer has 36 symbol sets for the resident PCL 6 fonts.

## Symbol Sets for PCL 6

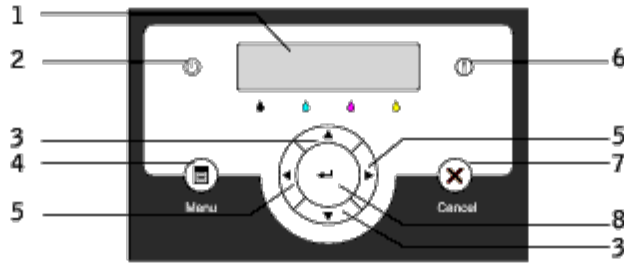
Not all font names support all of the symbol sets listed.

Roman 8 (Default)	ISO 8859-1 Latin 1	ISO 8859-2 Latin 2
ISO 8859-9 Latin 5	ISO 8859-10 Latin 6	PC-8
PC-8 DN	PC-775 Baltic	PC-850 Multilingual
PC-852 Latin 2	PC-1004 OS/2	PC Turkish
Windows 3.1 Latin 1	Windows 3.1 Latin 2	Windows 3.1 Latin 5
DeskTop	PS Text	MC Text
Microsoft Publishing	Math 8	PS Math
Pi Font	Legal	ISO 4 United Kingdom
ISO 6 ASCII	ISO 11 Swedish:names	ISO 15 Italian
ISO 17 Spanish	ISO 21 German	ISO 60 Norwegian v1

ISO 69 French	Windows 3.0 Latin 1	Windows Baltic
Symbol	Wingdings	ITC ZapfDingbats MS

# Understanding Printer Messages

The printer operator panel displays messages describing the current state of the printer and indicates possible printer problems you must resolve. This topic provides a list of all printer messages, explains what they mean, and tells you how to clear the messages.







1	LCD display	5	◀ ▶ buttons
2	Ready indicator	6	Error indicator
3	▼ ▲ buttons	7	Cancel button
4	Menu button	8	↵ button

Message	What this message means	What you can do
(The first and second lines are displayed together. The third and fourth lines blink every three second.)		
<i>NNN-NNN</i> Restart Printer Contact Support IfMessageReturns	Error <i>NNN-NNN</i> relates to printer problems.	Turn off the printer, and then on. If this does not solve the problem, contact Dell. See "Contacting Dell" in the <i>Owner's Manual</i> .
<i>NNN-NNN</i> Restart Printer Reseat Fuser Contact Support	The outer levers on both sides of the fuser unit are not securely locked. Error <i>NNN-NNN</i> relates to printer problems.	Confirm that the outer levers on both sides of the fuser unit are securely locked. If this does not solve the problem, contact Dell. See "Contacting Dell" in the <i>Owner's Manual</i> .
016-316 Restart Printer Reseat Memory Contact Support	The printer detected an unsupported additional memory module in the memory slot.	Remove the additional memory module. If this does not solve the problem, contact Dell. See "Contacting Dell" in the <i>Owner's Manual</i> .
016-318 Restart Printer Reseat Memory Contact Support	The additional memory module is not fully inserted into the slot.	Remove the additional memory module from the slot, and then reattach it firmly. If this does not solve the problem, contact Dell. See "Contacting Dell" in the <i>Owner's Manual</i> .
<i>NNN-NNN</i> Restart Printer Reseat <i>XXX</i> Contact Support	<i>XXX</i> is not fully inserted. Error <i>NNN-NNN</i> relates to printer problems.	Confirm that the unit is securely inserted. If this does not solve the problem, contact Dell. See "Contacting Dell" in the <i>Owner's Manual</i> .

Paper Jam XXX NNN-NNN Open YYY Remove Paper	The printer detects a paper jam in XXX. XXX indicates a position in which a paper jam occurs.	Clear the paper path. When "Reg Cover" appears in YYY, the procedure to remove print media is different depending on whether the Duplex Module is attached or not. See " <a href="#">Clearing Jams</a> "
Paper Jam XXX NNN-NNN Open YYY and ZZZ	YYY indicates a position that you open. Error NNN-NNN relates to printer problems.	
Paper Jam XXX NNN-NNN Open YYY Open ZZZ		
Paper Jam Tray 1 071-101 Open Feed1 Cover Pull out Tray 1	The printer detects a paper jam in XXX. XXX indicates a position in which a paper jam occurs.	Pull out the specified tray and clear the paper path. See " <a href="#">Clearing Jams</a> "
Paper Jam Tray 2 072-101 Open Feed2 Cover Pull out Tray 2		
004-312 TRAY1 must be 250 sheet tray Contact Support	The printer detects an incorrect configuration of the trays.	Turn off the printer. Set the trays in the proper configuration again. See " <a href="#">Installing the Optional Tray Module</a> "
Transparency 077-131 Open Reg Cover Remove Paper	The printer detects jammed transparencies.	Clear the paper path. Then load the transparencies again. See " <a href="#">Clearing Jams</a> "
Transparency 077-132 Open Duplex Mod Open Reg Cover Remove Paper		
Remove Drum Cart 091-940 Install Toner Cartridge First	The drum cartridge must be removed.	Remove the drum cartridge from the printer. See " <a href="#">Replacing the Drum Cartridges</a> "
Insert TonerCart NNN-NNN Insert XXX	The specified toner cartridge is either missing or not fully inserted into the printer. XXX is one of the following: · Yellow Toner · Cyan Toner · Magenta Toner · Black Toner Error NNN-NNN relates to printer problems.	Reinsert the specified toner cartridge. See " <a href="#">Replacing the Toner Cartridge</a> "
Insert Drum Cart 091-972 Drum Cartridge Not Installed	The drum cartridge is either missing or not fully inserted into the printer.	Reinsert the drum cartridge. See " <a href="#">Replacing the Drum Cartridges</a> "
Reinsert Drum 091-911 Printer Unable to Detect Drum		

Replace Toner NNN-NNN Replace XXX	The toner cartridge is low on toner. XXX is one of the following: · Yellow Toner · Cyan Toner · Magenta Toner · Black Toner Error NNN-NNN relates to printer problems.	Remove the specified toner cartridge and install a new one.  See " <a href="#">Replacing the Toner Cartridge</a> "
Replace DrumCart 091-935 Drum Full of Waste Toner	The drum cartridge needs to be replaced.	Replace the drum cartridge. See " <a href="#">Replacing the Drum Cartridges</a> "
Toner Verify NNN-NNN Remove/Reinsert XXX	An unsupported toner cartridge is installed. XXX is one of the following: · Yellow Toner · Cyan Toner · Magenta Toner · Black Toner Error NNN-NNN relates to printer problems.	Replace the specified toner cartridge. See " <a href="#">Replacing the Toner Cartridge</a> "
Drum Recognition 091-916 Remove and Reinsert Drum	An unsupported drum cartridge is installed.	Replace the drum cartridge. See " <a href="#">Replacing the Drum Cartridges</a> "
TonerRecognition NNN-NNN Remove/Reinsert XXX	An unsupported toner cartridge is installed. XXX is one of the following: · Yellow Toner · Cyan Toner · Magenta Toner · Black Toner · DrumCartridge Error NNN-NNN relates to printer problems.	Replace the specified toner cartridge. See " <a href="#">Replacing the Toner Cartridge</a> "
Wrong Cartridge NNN-NNN XXX Unsupported	A toner cartridge which has a volume that is not supported has been installed. XXX indicates one of the following: · Yellow Toner · Cyan Toner · Magenta Toner · Black Toner Error NNN-NNN relates to printer problems.	Replace the specified toner cartridge. See " <a href="#">Replacing the Toner Cartridge</a> "
Close FrontCover 077-300 Front or Top Cover Is Open	Printer cover is open. XXX is one of the following: · Reg Cover · BTR Cover · Paper Cover	Close the specified cover.
Close XXX NNN-NNN YYY Is Open	· Feeder 1 · Feeder 2 · Duplex Cover YYY is one of the following: · Reg Cover	


	<ul style="list-style-type: none"> <li>· BTR Cover</li> <li>· Paper Cover</li> <li>· Feeder 1 Cover</li> <li>· Feeder 2 Cover</li> <li>· Duplex Cover</li> </ul> <p>Error <i>NNN-NNN</i> relates to printer problems.</p>	
Close Duplex Mod 077-308 Duplex Module Is Open	Optional duplex module is open.	Close the optional duplex module.
CarrierAlignment 093-310 Reinsert Toner Cartridge	The toner cartridge does not rotate properly during replacement.	<ul style="list-style-type: none"> <li>· Open the front door.</li> <li>· Confirm that toner cartridges are securely installed.</li> </ul>
Load XXX <i>NNN-NNN</i> Load XXX YYY Load XXX yyy	<p>Incorrect paper size is loaded in the specified tray.</p> <p>XXX indicates the number of the tray or multipurpose feeder.</p> <p>YYY indicates a paper size.</p> <p>yyy indicates paper quality.</p> <p>Error <i>NNN-NNN</i> relates to printer problems.</p>	Load the specified paper size in the specified trays. See " <a href="#">Loading Print Media in Optional Trays</a> "
Load Tray 024-964 Load XXX YYY Load XXX yyy	<p>Incorrect paper sizes are loaded in all trays.</p> <p>YYY indicates a paper size.</p> <p>yyy indicates paper quality.</p>	Load the specified paper in all the trays. See " <a href="#">Loading Print Media in Optional Trays</a> "
Out of Memory 016-700 Job too Large Press Set	<p>The printer memory is full and cannot continue processing the current print job.</p> <p>Error <i>NNN-NNN</i> relates to printer problems.</p>	<ul style="list-style-type: none"> <li>· Press  to clear the message, cancel the current print job, and conduct the next print job, if any.</li> <li>· Press <b>Cancel</b> to cancel the current print job.</li> <li>· Press <b>Menu</b> to open the <code>Stored Print</code> and delete the holding job.</li> <li>· To avoid this error in the future, do the following: <ul style="list-style-type: none"> <li>· Delete unnecessary fonts, macros, and other data in printer memory.</li> <li>· Install additional printer memory.</li> </ul> </li> </ul> <p>See "<a href="#">Accessing Held Jobs From the Operator Panel</a>"</p>
Disk Full 016-980 Job too Large Press Set	<p>RAM disk memory is full and cannot continue processing the current print job.</p>	<ul style="list-style-type: none"> <li>· Press  to clear the message, cancel the current print job, and conduct the next print job, if any.</li> <li>· Press <b>Cancel</b> to cancel the current print job.</li> <li>· Press <b>Menu</b> to open the <code>Stored Print</code> and delete the current job.</li> <li>· To avoid this error in the future, do the following: <ul style="list-style-type: none"> <li>· Reduce the number of print pages such as splitting the print data.</li> <li>· Increase free memory space by deleting unnecessary data in the RAM disk.</li> </ul> </li> </ul> <p>See "<a href="#">Accessing Held Jobs From the Operator Panel</a>"</p>
PCL Request 016-720 Invalid PCL file Press Set	Error relating to PCL emulation problems occurs.	<ul style="list-style-type: none"> <li>· Press  to clear the message, cancel the current print job, and conduct the next print job, if any.</li> <li>· Press <b>Cancel</b> to cancel the print job.</li> </ul>
Invalid Job 016-799	When the configuration of the printer on the printer driver does not	<ul style="list-style-type: none"> <li>· Press <b>Cancel</b> to cancel the print job.</li> </ul>

Data Violation Press Set	conform to the printer you are using, this message appears.	<ul style="list-style-type: none"> <li>· Press  to clear the message, cancel the current print job, and conduct the next print job, if any.</li> <li>· Make sure that the configuration of the printer on the printer driver conforms to the printer you are using.</li> </ul>
Insert TonerCart <i>NNN-NNN</i> Insert XXX	<p>The specified toner cartridge is either missing or not fully inserted into the printer.</p> <p>XXX is one of the following:</p> <ul style="list-style-type: none"> <li>· Yellow Toner</li> <li>· Cyan Toner</li> <li>· Magenta Toner</li> <li>· Black Toner</li> </ul> <p>Error <i>NNN-NNN</i> relates to printer problems.</p>	<p>Prepare the specified toner cartridge.</p> <p>See "<a href="#">Replacing the Toner Cartridge</a>"</p>
Replace Toner <i>NNN-NNN</i> Replace XXX	<p>The specified toner cartridge needs to be replaced.</p> <p>XXX is one of the following:</p> <ul style="list-style-type: none"> <li>· Yellow Toner</li> <li>· Cyan Toner</li> <li>· Magenta Toner</li> <li>· Black Toner</li> </ul> <p>Error <i>NNN-NNN</i> relates to printer problems.</p>	<p>Replace the specified toner cartridge.</p> <p>See "<a href="#">Replacing the Toner Cartridge</a>"</p>
Ready to Print <i>NNN-NNN</i> XXX Is Low	<p>Toner cartridge is nearly empty.</p> <p>The specified toner cartridge needs to be replaced.</p> <p>XXX is one of the following:</p> <ul style="list-style-type: none"> <li>· Yellow Toner</li> <li>· Cyan Toner</li> <li>· Magenta Toner</li> <li>· Black Toner</li> </ul> <p>Error <i>NNN-NNN</i> relates to printer problems.</p>	<p>Replace the specified toner cartridge.</p> <p>See "<a href="#">Replacing the Toner Cartridge</a>"</p>
Ready to Print 091-402 Drum Cartridge Replace Soon	<p>Drum life warning.</p> <p>The drum cartridge needs to be replaced.</p>	<p>Replace the drum cartridge.</p> <p>See "<a href="#">Replacing the Drum Cartridges</a>"</p>
Ready to Print 193-700 non-DELL Toner Installed	<p>The printer is in the custom toner mode.</p>	<p>When some of the toner cartridges reach the end of their lives, you cannot continue printing.</p>

# Clearing Jams

Careful selection of appropriate print media and proper loading allow you to avoid most jams. See "[Print Media Guidelines](#)" for more information.

- [Avoiding Jams](#)
- [Identifying the Location of Paper Jams](#)
- [Removing Print Jams Near the Fuser Unit](#)
- [Removing Print Jams Near the Center Output Tray](#)
- [Removing Print Jams From the Print Media Pickup Area](#)
- [Removing Print Jams From the Optional Duplex Module](#)
- [Removing Print Jams From the Print Media Source](#)
- [Removing Print Jams From the Multipurpose Feeder](#)

 **NOTE:** Before buying large quantities of any print media, Dell recommends trying a sample first.

---

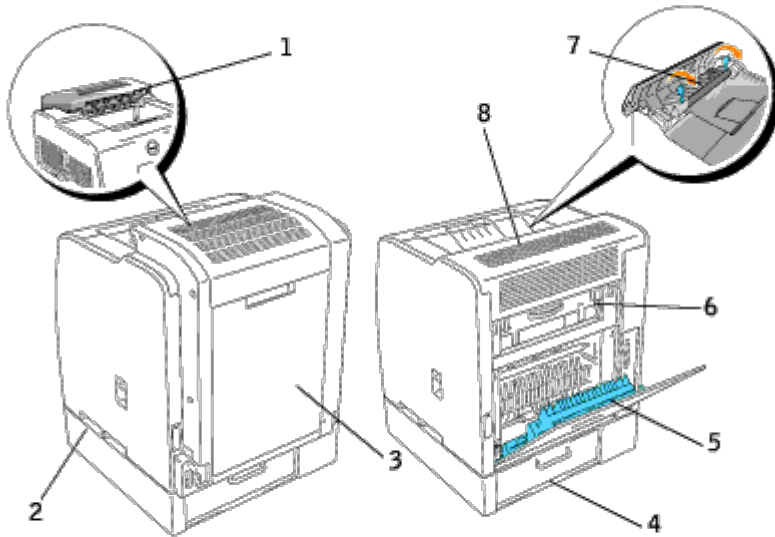
## Avoiding Jams

- Use only recommended print media. See "[Print Media Guidelines](#)" for more information.
  - See "[Loading Print Media in Optional Trays](#)" and "[Loading the Multipurpose Feeder](#)" to load printer media properly.
  - Do not overload the print media sources. Make sure the stack print media height does not exceed the maximum height indicated by the load line labels in the trays.
  - Do not load wrinkled, creased, damp, or curled print media.
  - Flex, fan, and straighten print media before you load it. If a jam occurs with print media, try feeding one sheet at a time through the multipurpose feeder.
  - Do not use print media that you have cut or trimmed yourself.
  - Do not mix print media sizes, weights, or types in the same print media source.
  - Make sure the recommended print side is face up.
  - Keep print media stored in an acceptable environment. For more information, see "[Storing Print Media](#)" for more information.
  - Do not remove the feeding tray during a print job.
  - Push all trays in firmly after loading them.
  - Make sure all cables that connect to the printer are correctly attached.
  - Overtightening the guides may cause jams.
- 

## Identifying the Location of Paper Jams

The following illustration shows where paper jams may occur along the print media path.





**⚠ CAUTION:** Do not attempt to clear any jams using tools or instruments. This may permanently damage the printer.

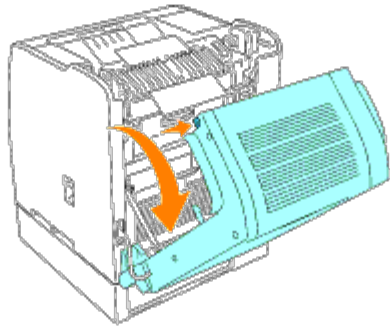
1	Duplex module
2	Print media source
3	Duplex cover
4	Feeder cover
5	Inner rear cover
6	Bias Transfer Roll (BTR) cover
7	Fuser cover
8	Paper cover (not present when duplex module has been installed)

## Removing Print Jams Near the Fuser Unit

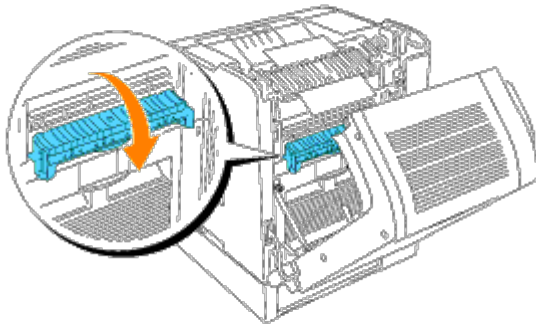
**🔧 NOTE:** To resolve the message displayed on the operator panel, you must clear all print media from the print media path.


## When Using the Optional Duplex Module

1. Open the duplex module.

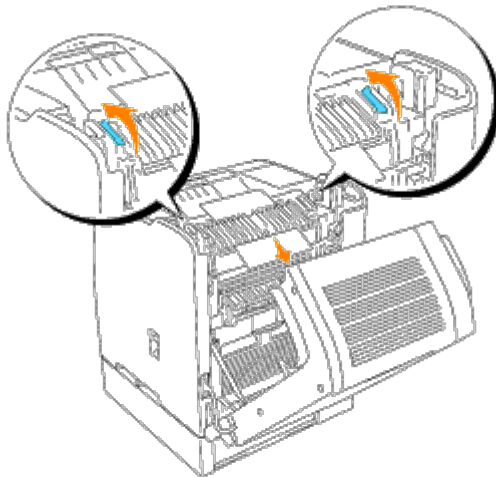



2. Open the inner rear cover.



 **CAUTION:** The inside of the printer on the back side is hot.

3. Press the levers on both sides and remove any jammed print media.

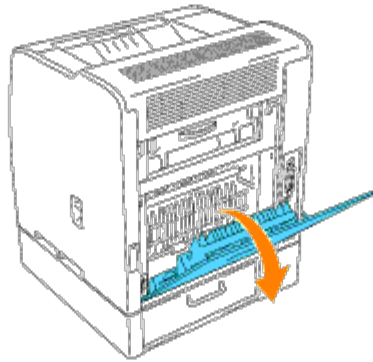


 **NOTE:** Never touch the outer levers located on both sides of the fuser unit, which are used to remove or install the fuser unit.

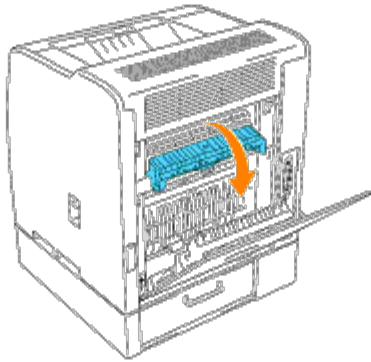
4. Return the levers to their original positions.
5. Close the BTR cover.
6. Close the duplex module.


## When Not Using the Optional Duplex Module

1. Open the rear cover.

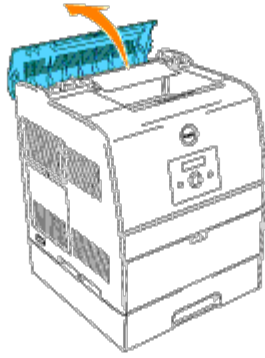


2. Open the BTR cover.

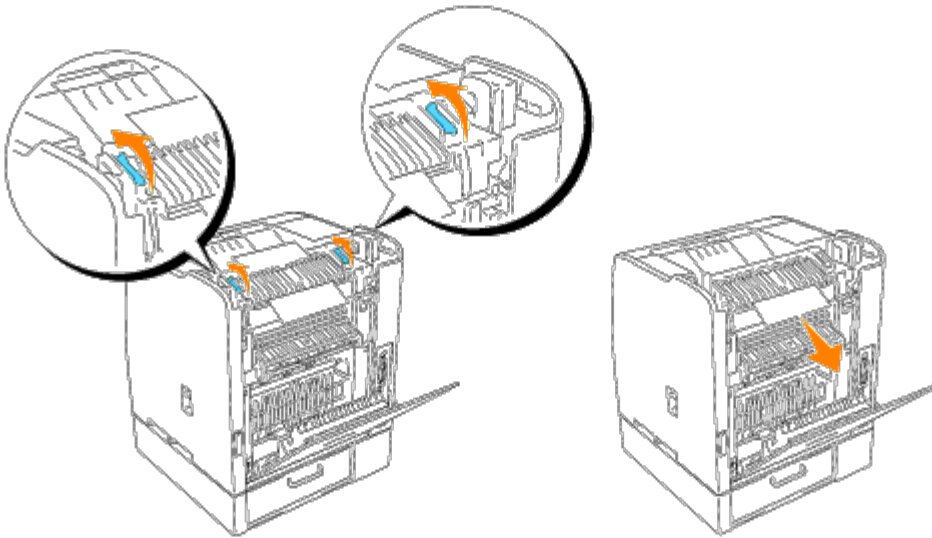



 **CAUTION:** The inside of the printer on the back side is hot.

3. Open the paper cover.



4. Press the levers on both sides and remove any jammed print media.




 **NOTE:** Never touch the outer levers located on both sides of the fuser unit, which are used to remove or install the fuser unit.

5. Return the levers to their original positions.
6. Close the paper cover.
7. Close the BTR cover.
8. Close the rear cover.

---

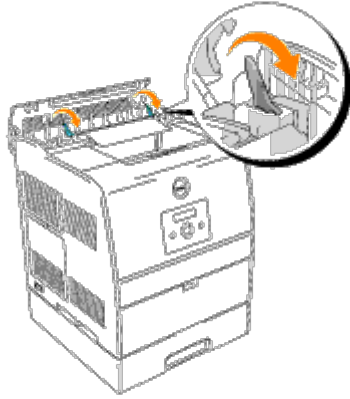
## Removing Print Jams Near the Center Output Tray


 **NOTE:** To resolve the message displayed on the operator panel, you must clear all print media from the print media path.

1. Open the paper cover or the optional duplex module (if the duplex module is installed).

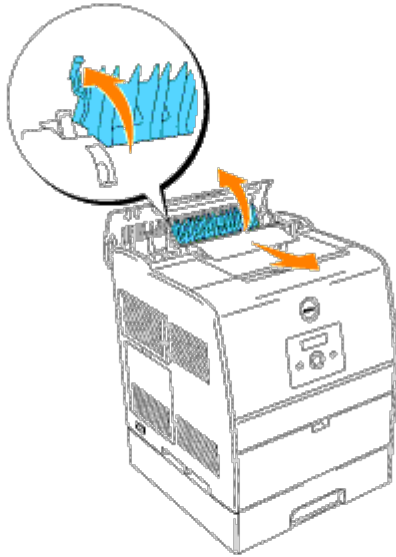
 **CAUTION:** The inside of the printer is hot.

2. Lift up the levers on both sides.



 **NOTE:** Never touch the outer levers located on both sides of the fuser unit, which are used to remove or install the fuser unit.


3. Open the fuser cover and remove any jammed print media.



4. Push down the levers on the both sides.
5. Close the paper cover or the optional duplex module (if the duplex module is installed).

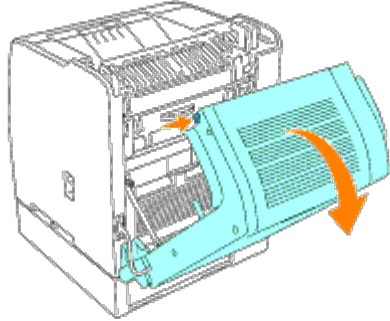
---

## Removing Print Jams From the Print Media Pickup Area

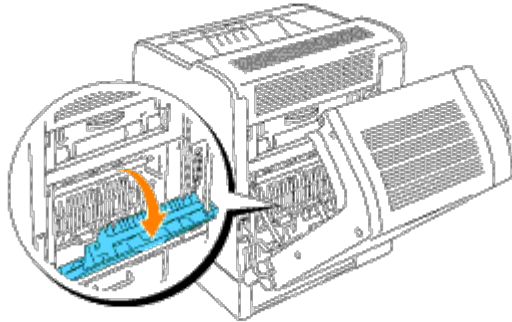
 **NOTE:** To resolve the message displayed on the operator panel, you must clear all print media from the print media path.

## When Using the Optional Duplex Module

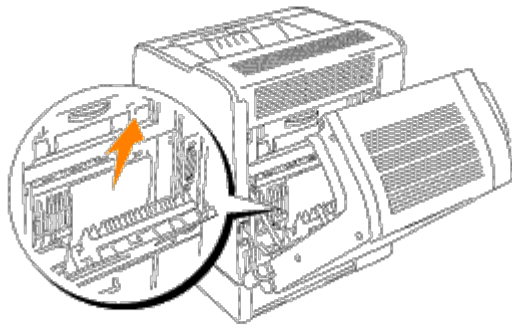
1. Open the duplex module.



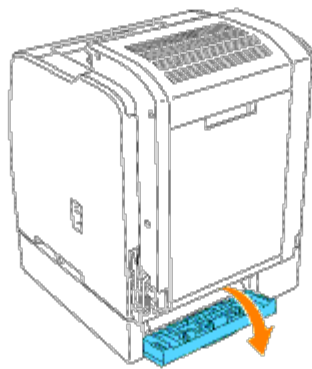
2. Open the inner rear cover.



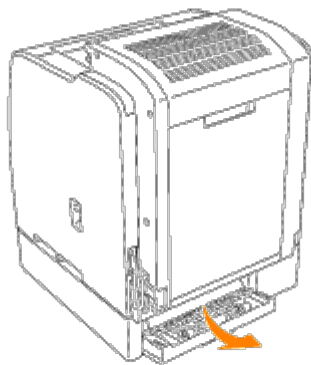
3. Remove the print media from the back of the printer. The accessible portion of the print media determines how it should be removed. If the print media is not accessible, go to step 4.



4. Close the inner rear cover.
5. Close the duplex module.
6. Grab the feeder cover on the back of the printer and pull down.



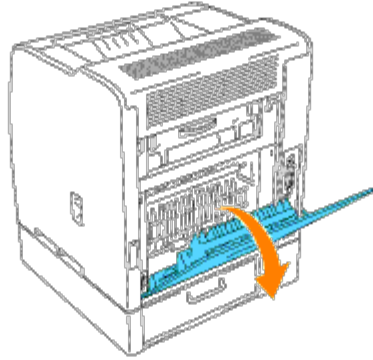
7. Remove any accessible print media.



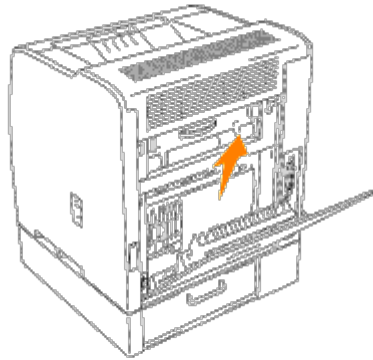
8. Close the cover.

## When Not Using the Optional Duplex Module

1. Open the rear cover. The inner rear cover opens at the same time.

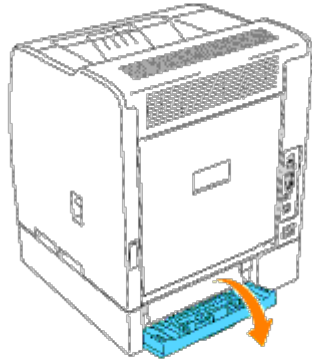


2. Remove the print media from the back of the printer. The accessible portion of the print media determines how it should be removed. If the print media is not accessible, go to step 3.

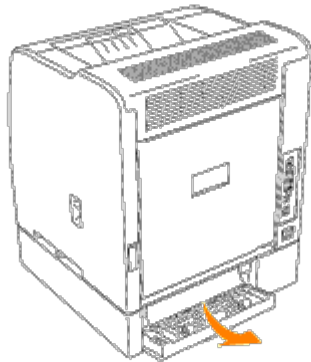


3. Close the rear cover.
4. Grab the feeder cover on the back of the printer and pull down.






5. Remove any accessible print media.



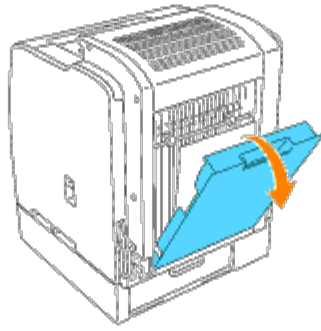
6. Close the cover.

---

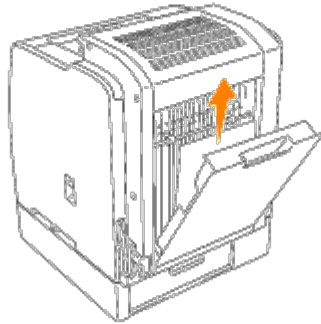
## Removing Print Jams From the Optional Duplex Module

 **NOTE:** To resolve the message displayed on the operator panel, you must clear all print media from the print media path.

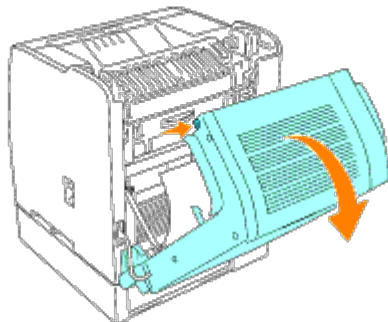
1. Grab the duplex cover and pull down.



2. Remove any accessible print media. The accessible portion of the print media determines how it should be removed. If only a small portion of the print media is accessible, do not remove the print media. Go to step 3.




3. Close the duplex cover.
4. Grab the optional duplex module and pull back.



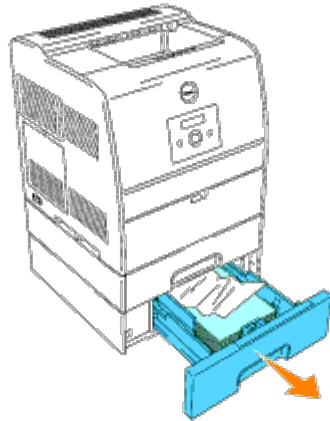
5. Remove any accessible print media.
6. Close the optional duplex module.

---

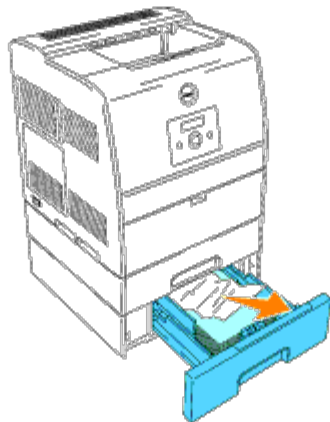
## Removing Print Jams From the Print Media Source

 **NOTE:** To resolve the message displayed on the operator panel, you must clear all print media from the print media path.

1. Pull the tray halfway out.



2. Remove the print media depending on how it has jammed.
  - If print media is located on a tilted surface or a wall at the front of the tray, pull the print media straight out.
  - If the print media is in the pass-through area across two trays, pull the print media straight up and out.

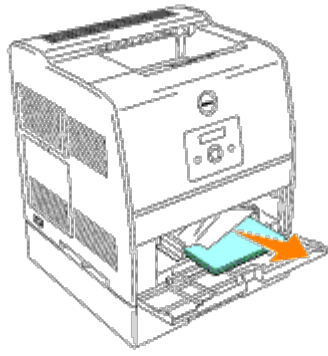



3. Return the tray to its original position.

---

## Removing Print Jams From the Multipurpose Feeder

Pull the jammed print media straight out of the multipurpose feeder as shown below.



 **NOTE:** To resolve the message displayed on the operator panel, you must clear all print media from the print media path.

# Troubleshooting

## Troubleshooting Guide

This section consists of the following instructions.

### [Configuration of your printer instructions](#)

#### [User Settings](#)

- [Menu Map](#)
- [Setup printing Letter Plain 1 from Multipurpose Feeder](#)
- [Setup printing Letter Plain 1 from Tray 1](#)
- [Setup printing Letter Plain 1 from Tray 2](#)
- [Setup printing Transparency from Multipurpose Feeder](#)
- [Setup printing Envelope from Multipurpose Feeder](#)
- [Setup Paper Size](#)
- [Setup Paper Type](#)

#### [Configuration](#)

- [Parallel Printing](#)
- [USB Printing](#)
- [Setup Network](#)
- [Setup Security](#)

#### [Trouble Shooting Instructions](#)

- [Diagnostic Menu Map \(Customer Mode\)](#)
- [Testing "Print Quality"](#)
- [Testing "Toner Pallets Check" or "Contamination Check"](#)
- [Clear NVRAM](#)

#### [Others](#)

- [How to replace the Drum Cartridge](#)
- [How to install the Toner Cartridge](#)
- [Basic toner cleaning instructions](#)


The section will help you solve problems with the printer, options, or print quality.

- [Basic Printer Problems](#)
  - [Display Problems](#)
  - [Printing Problems](#)
  - [Print Quality Problems](#)
  - [Option Problems](#)
  - [Other Problem](#)
  - [Contacting Service](#)
- 

## Basic Printer Problems

Some printer problems can be easy to resolve. If a problem occurs with your printer, check each the following:

- If a message displays on the operator panel, see "[Understanding Printer Messages.](#)"
- The printer power cable is plugged into the printer and a properly grounded electrical outlet.
- The printer power is on.
- The electrical outlet is not turned off at any switch or breaker.
- Other electrical equipment plugged into the outlet is working.
- All options are properly installed.
- If you have checked all of the above and still have a problem, turn off the printer, wait for 10 seconds, and then turn on the printer. This often fixes the problem.

 **NOTICE:** If an error message appears, see "[Understanding Printer Messages.](#)"

---

## Display Problems

Problem	Action
Operator panel displays only diamonds or is blank.	<ul style="list-style-type: none"> <li>· Turn off the printer, wait for 10 seconds, and turn on the printer.</li> <li>· Self Test Message appears on the operator panel. When the test is completed, Ready to Print is displayed.</li> </ul>
Menu settings changed from the operator panel have no effect.	<p>Settings in the software program, the printer driver, or the printer utilities are overriding the settings made on the operator panel.</p> <ul style="list-style-type: none"> <li>· Change the menu settings from the printer driver, the printer utilities, or the software program instead of the operator panel.</li> <li>· Disable the settings in the printer driver, the printer utilities, or the software program so you can change settings on the operator panel.</li> </ul>

---

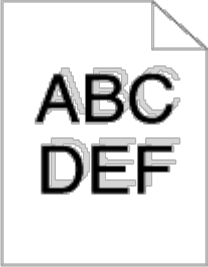

## Printing Problems

Problem	Action
Job did not print correct	Make sure Ready to Print appears on the operator panel before you send a job to print. Press

or incorrect characters printed.	<p><b>Menu</b> to return to Ready to Print.</p> <p>Make sure print media is loaded in the printer. Press <b>Menu</b> to return to Ready to Print.</p> <p>Verify the printer is using the correct page-description language (PDL).</p> <p>Verify that you are using the correct printer driver.</p> <p>Make sure you are using the correct Ethernet, USB, or IEEE cable and it is securely connected at the back of the printer.</p> <p>Verify that the correct print media size is selected.</p> <p>If using a print spooler, verify that the spooler has not stalled.</p> <p>Check the printer interface from the <b>Configure</b> menu. Determine the host interface you are using. Print a Panel Settings page to verify that the current interface settings are correct.</p> <p>Some high-resolution graphics will not print correctly using the PCL driver in its default mode. To correct this problem, use the PostScript driver or you can increase your memory when using the PCL driver.</p>
Secure print is not available or not printing	<p>Minimum 256 MB is required.</p> <p>RAM Disk must be enabled using the operator panel.</p> <p>The number of secure print jobs your printer can store is dependent on the job size including number of pages, graphics, color attributes, and the amount of memory installed. To increase this number, add additional memory.</p>
Print media misfeeds or multiple feeds occur.	<p>Make sure the print media you are using meets the specifications for your printer. See "<a href="#">Print Media Supported</a>" for more information.</p> <p>Flex print media before loading it in any of the sources.</p> <p>Make sure the print media is loaded correctly.</p> <p>Make sure the width and length guides on the print media sources are adjusted correctly.</p> <p>Do not overfill the print media sources.</p> <p>Do not force print media into the multipurpose feeder when you load it; otherwise, it may skew or buckle.</p> <p>Remove any curled print media from sources.</p> <p>Load the recommended print side correctly for the type of print media you are using. See "<a href="#">Loading Print Media in Optional Trays</a>" for more information.</p> <p>Turn the print media over or around and try printing again to see if feeding improves.</p> <p>Do not mix print media types.</p> <p>Do not mix reams of print media.</p> <p>Remove the top and bottom sheets of a ream before loading the print media.</p> <p>Load a print media source only when it is empty.</p>
Envelope misfeeds or multiple feeds occur.	<p>Remove the stack of envelopes from the multipurpose feeder.</p>
Page breaks in unexpected places.	<p>Check the <a href="#">Job Timeout</a> in the <b>Basic Settings</b> menu. Increase the setting.</p>
Job prints from the wrong	<p>Check the <a href="#">Paper Size</a> and <a href="#">Paper Type</a> in the <b>Tray Settings</b> menu on the printer operator panel</p>

source or on the wrong print media.	and in the printer driver.
Print media does not stack neatly in the output bin.	Turn the print media stack over in the tray or multipurpose feeder.
Printer does not duplex pages.	Make sure Duplex is selected in both the PCL (Printer Control Language) menu on the printer operator panel and in the printer driver.
	Make sure you have enough printer memory installed.

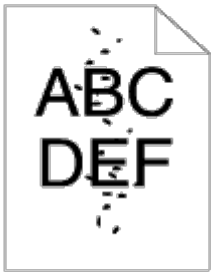
## Print Quality Problems

Problem	Action
<p>Color is out of alignment.</p> 	<ul style="list-style-type: none"> <li>· The inside of printer is dirty.</li> <li>· If you install a new black cartridge and a ROS cleaning has not been done, this problem will happen. See "<a href="#">Cleaning Inside the Printer</a>".</li> </ul>
<p>Print is too light.</p> 	<ul style="list-style-type: none"> <li>· The toner may be low. Confirm the amount of the toner and change the toner cartridges if necessary.</li> <li>· Set the <b>Draft Mode</b> check box to off in the Advanced in the printer driver.</li> <li>· If you are printing on an uneven print surface, change the Paper Type settings in the Tray Settings menu. See "<a href="#">Paper Type</a>."</li> <li>· Verify that the correct print media is being used.</li> <li>· The drum cartridge may need to be replaced. Change the drum cartridge.</li> </ul>
<p>Toner smears or print comes off page.</p>	<ul style="list-style-type: none"> <li>· If you are printing on an uneven print surface, change the Paper Type settings in the Tray Settings menu. See "<a href="#">Paper Type</a>."</li> <li>· Verify that the print media is within the printer specifications. See "<a href="#">Print Media Supported</a>."</li> </ul>



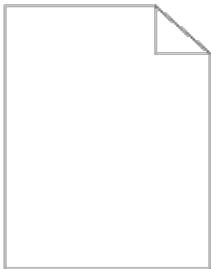


Toner spots appear on the page/printing is blurred.



- Check the toner cartridge to make sure it is installed correctly.
- Change the toner cartridge. See "[Replacing the Toner Cartridge.](#)"

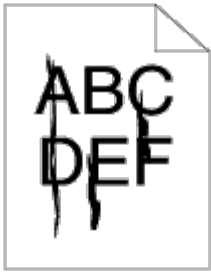
Entire page is white.



- Make sure the packaging material is removed from the toner cartridge.
- Check the toner cartridge to make sure it is installed correctly.
- The toner may be low. Change the toner cartridge. See "[Replacing the Toner Cartridge.](#)"

Streaks appear on the page.

- The toner may be low. Change the toner cartridge. See "[Replacing the Toner Cartridge.](#)"
- If you are using preprinted forms, make sure the toner can withstand temperatures of 0 °C to 35 °C.

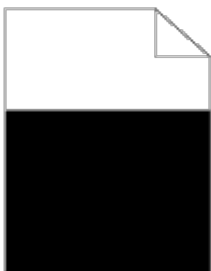


Characters have jagged or uneven edges.



- Change the **Print Mode** in the **Graphics** tab (or **Advanced** dialog box) to **Standard** in the printer driver.
- If you are using downloaded fonts, verify that the fonts are supported by the printer, the host computer, and the software program.



Part or all of the page prints in black.



- Check the toner cartridge to make sure it is installed correctly.

The job prints, but the top and side margins are incorrect.

- Make sure the **Paper Size** setting in the **Tray Settings** is correct.
- Make sure the margins are set correctly in your software program.

	
<p>Printing on both ends of the transparencies is faded.</p> 	<ul style="list-style-type: none"> <li>This occurs when the printer is operating in a location where relative humidity reaches 85% or more. Adjust the humidity or relocate the printer to an appropriate environment.</li> </ul>

## Option Problems

If an option does not operate correctly following installation or stops working:

- Turn off the printer, wait for 10 seconds, and then turn on the printer. If this does not fix the problem, unplug the printer, and check the connection between the option and the printer.
- Print the Printer Settings page to see if the option is listed in the Installed Options list. If the option is not listed, reinstall it. See "[Printing a Printer Settings Page.](#)"
- Make sure the option is selected in the printer driver you are using.

The following table lists printer options and corrective actions for related problems. If the suggested corrective action does not correct the problem, call customer service.

Problem	Action
Optional tray	<ul style="list-style-type: none"> <li>• Make sure a secure connection exists between trays (250-sheet tray module or 500-sheet tray module).</li> <li>• Make sure the print media is loaded correctly. See "<a href="#">Loading Print Media in Optional Trays</a>" for more information.</li> </ul>
Optional duplex module	<ul style="list-style-type: none"> <li>• If the duplex module is listed on the Printer Settings page, and the print media jams when it enters or exits the duplex module, the printer and duplex module may not be properly aligned.</li> <li>• If the duplex module is not available, verify the duplex module cable is connected to the printer and that</li> </ul>

	your printer has the minimum 128 MB memory required.
Printer memory	· Make sure the printer memory is securely connected to the printer system board.

---

## Other Problem

Condensation has occurred inside the printer.

- Using the operator panel, set the time the printer is in the power saver mode to 60 minutes, and then leave the printer turned on. The inside of the printer warms up and condensation evaporates. When the condensation evaporates you can use the printer normally.
- 

## Contacting Service

When you call for printer service, be prepared to describe the problem you are experiencing or the error message on the display.

You need to know your printer model type and serial number. See the label on the back of the printer near the power cable for this information.

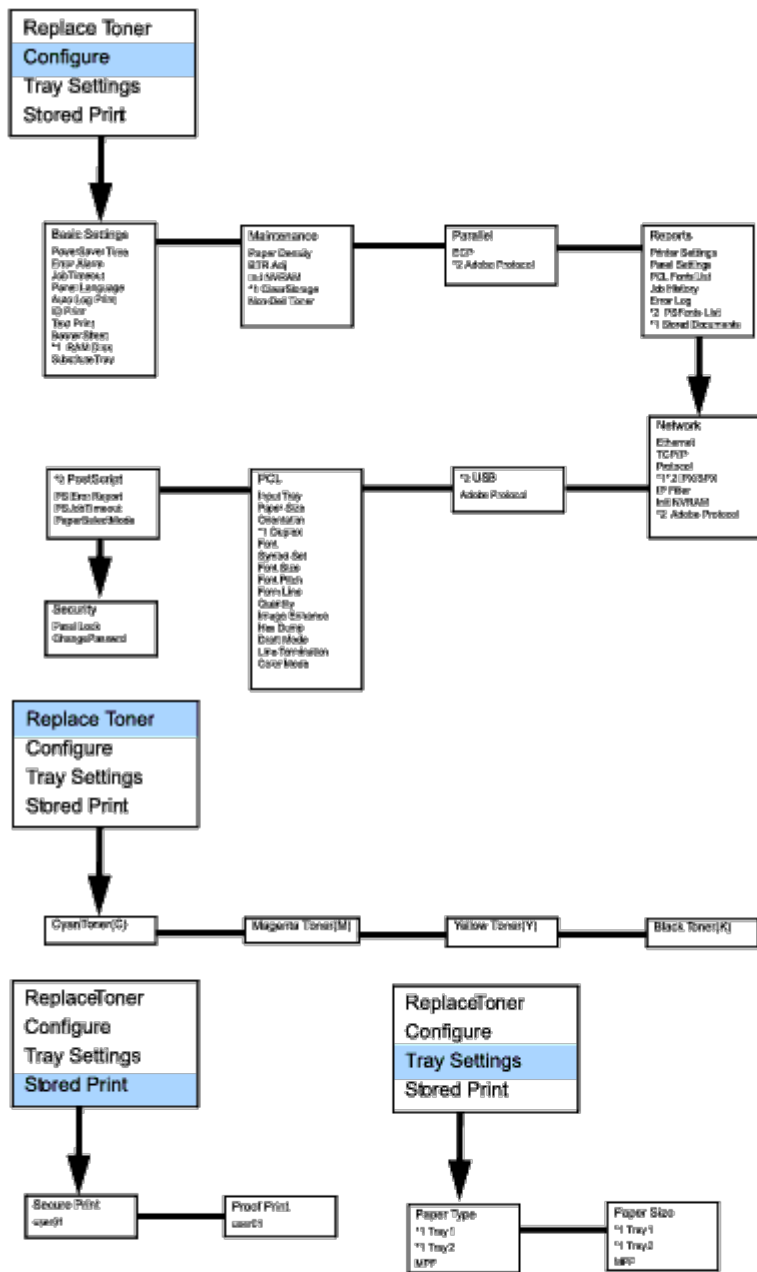
---

## Troubleshooting Guide

### Configuration of your printer instructions

#### User Settings

#### Menu Map



\*1 Only available if certain options are enable or installed.  
 \*2 These items are only available for Dell Laser Printer 3100cn.

## Setup printing Letter Plain 1 from Multipurpose Feeder

1. On the printer operator panel press **MENU**.
2. Press ▼ to get to Tray Settings.
3. Press ► to select Tray Settings.
4. Press ▼ to get to Paper Size. (ONLY ON 3x00cn)
5. Press ► to select Paper Size. (ONLY ON 3x00cn)
6. Press ▼ to get to MPF. (ONLY ON 3x00cn)

7. Press **▶** to select **MPF**. (ONLY ON 3x00cn)
8. Using **▲** and **▼**, select the appropriate paper size (Letter). (ONLY ON 3x00cn)
9. Press the middle button, **SELECT**, once Letter is displayed on the lower line, this puts a \* by it. (ONLY ON 3x00cn)
10. Now we have the MPF Size set to Letter. (ONLY ON 3x00cn)
11. Now press **MENU** to get back to Tray Settings/Paper Size.
12. Press **▼** to get to Paper Type.
13. Press **▶** to select Paper Type.
14. Press **▼** to get to MPF.
15. Press **▼** to select MPF.
16. Using **▲** and **▼**, select the appropriate paper type (Plain 1).
17. Press **SELECT**, once Plain 1 is displayed on the lower line.
18. Now we have the MPF Type set to Plain 1.
19. Now press **MENU** to get back to Ready to Print
20. Now insert the Letter-sized stack of paper into the MPF.
21. On the screen MPF/Letter will appear. (ONLY ON 3x00cn)
22. Press **SELECT** to confirm this. (ONLY ON 3x00cn)
23. Now on the screen MPF/Plain 1 will appear.
24. Press **SELECT** to confirm this.
25. We now have all the hardware settings on the printer correct

Now, all software settings screen shots are from WORD, this was done in Word. However if in any application, you go **File** **®** **Print** and then click the **Properties** button, you will get this same driver properties window.

26. Open up Word and create a new document.
27. Go to **File** **®** **Print**.
28. Select the Dell Color Laser Printer from the printers list
29. Click the **Properties** button to the right.
30. This brings up Driver Properties.
31. Click on the Paper Tray Tab.
32. Change the Paper Source to MPF.
33. Click the Paper Tab.
34. Select in paper size, Letter.
35. Select for Output Size, Same as Paper Size.
36. Click **OK**.
37. Click **Close**.

38. Now the printer driver is setup correctly.
39. Now go to **File ® Page Setup**.
40. Click the Paper Tab.
41. Change Paper Size to Legal.
42. Change the Paper source settings BOTH to "DEFAULT TRAY AS PER PRINTER".
43. Click **OK**.
44. Type in some gibberish in the body of the document and click Print!

### Setup printing Letter Plain 1 from Tray 1

1. On the printer operator panel press **MENU**.
2. Press ▼ to get to Tray Settings.
3. Press ► to select Tray Settings.
4. Press ▼ to get to Paper Size. (ONLY ON 3x00cn)
5. Press ► to select Paper Size. (ONLY ON 3x00cn)
6. Press ▼ to get to Tray 1. (ONLY ON 3x00cn)
7. Press ► to select Tray 1. (ONLY ON 3x00cn)
8. Using ▲ and ▼, select the appropriate paper size (Letter). (ONLY ON 3x00cn)
9. Press the middle button, **SELECT**, once Letter is displayed on the lower line, this puts a \* by it. (ONLY ON 3x00cn)
10. Now we have the Tray 1 Size set to Letter. (ONLY ON 3x00cn)
11. Now press **MENU** to get back to Tray Settings/Paper Size.
12. Press ▼ to get to Paper Type.
13. Press ► to select Paper Type.
14. Press ▼ to get to Tray 1.
15. Press ► to select Tray 1.
16. Using ▲ and ▼, select the appropriate paper type (Plain 1).
17. Press **SELECT**, once Plain 1 is displayed on the lower line.
18. Now we have the Tray 1 Type set to Plain 1.
19. Now press **MENU** to get back to Ready to Print.
20. Now insert the Letter-sized stack of paper into the Tray 1.
21. On the screen Tray 1/Letter will appear. (ONLY ON 3x00cn)
22. Press **SELECT** to confirm this. (ONLY ON 3x00cn)
23. Now on the screen Tray 1/Plain 1 will appear.
24. Press **SELECT** to confirm this.
25. We now have all the hardware settings on the printer correct.

Now, all software settings screen shots are from WORD, this was done in Word. However if in any application, you go **File** ® **Print** and then click the **Properties** button, you will get this same driver properties window.

26. Open up Word and create a new document.
27. Go to **File** ® **Print**.
28. Select the Dell Color Laser Printer from the printers list.
29. Click the **Properties** button to the right.
30. This brings up Driver Properties.
31. Click on the Paper Tray Tab.
32. Change the Paper Source to Tray 1.
33. Click the Paper Tab.
34. Select in paper size, Letter.
35. Select for Output Size, Same as Paper Size.
36. Click **OK**.
37. Click **Close**.
38. Now the printer driver is setup correctly.
39. Now go to **File** ® **Page Setup**.
40. Click the Paper Tab.
41. Change Paper Size to Legal.
42. Change the Paper source settings BOTH to "DEFAULT TRAY AS PER PRINTER".
43. Click **OK**.
44. Type in some gibberish in the body of the document and click Print!

### Setup printing Letter Plain 1 from Tray 2

1. On the printer operator panel press **MENU**.
2. Press ▼ to get to Tray Settings.
3. Press ► to select Tray Settings.
4. Press ▼ to get to Paper Size. (ONLY ON 3x00cn)
5. Press ► to select Paper Size. (ONLY ON 3x00cn)
6. Press ▼ to get to Tray 2. (ONLY ON 3x00cn)
7. Press ► to select Tray 2. (ONLY ON 3x00cn)
8. Using ▲ and ▼, select the appropriate paper size (Letter). (ONLY ON 3x00cn)
9. Press the middle button, **SELECT**, once Letter is displayed on the lower line, this puts a \* by it. (ONLY ON 3x00cn)
10. Now we have the Tray 2 Size set to Letter. (ONLY ON 3x00cn)



11. Now press **MENU** to get back to Tray Settings/Paper Size.
12. Press ▼ to get to Paper Type.
13. Press ► to select Paper Type.
14. Press ▼ to get to Tray 2.
15. Press ▼ to select Tray 2.
16. Using ▲ and ▼, select the appropriate paper type (Plain 1).
17. Press **SELECT**, once Plain 1 is displayed on the lower line.
18. Now we have the Tray 2 Type set to Plain 1.
19. Now press **MENU** to get back to Ready to Print
20. Now insert the Letter-sized stack of paper into the Tray 2.
21. On the screen Tray 2/Letter will appear. (ONLY ON 3x00cn)
22. Press **SELECT** to confirm this. (ONLY ON 3x00cn)
23. Now on the screen Tray 2/Plain 1 will appear.
24. Press **SELECT** to confirm this.
25. We now have all the hardware settings on the printer correct

Now, all software settings screen shots are from WORD, this was done in Word. However if in any application, you go **File** ® **Print** and then click the **Properties** button, you will get this same driver properties window.

26. Open up Word and create a new document.
27. Go to **File** ® **Print**.
28. Select the Dell Color Laser Printer from the printers list
29. Click the **Properties** button to the right.
30. This brings up Driver Properties.
31. Click on the Paper Tray Tab.
32. Change the Paper Source to Tray 2.
33. Click the Paper Tab.
34. Select in paper size, Letter.
35. Select for Output Size, Same as Paper Size.
36. Click **OK**.
37. Click **Close**.
38. Now the printer driver is setup correctly.
39. Now go to **File** ® **Page Setup**.
40. Click the Paper Tab.
41. Change Paper Size to Legal.
42. Change the Paper source settings BOTH to "DEFAULT TRAY AS PER PRINTER".

43. Click **OK**.
44. Type in some gibberish in the body of the document and click Print!

### Setup printing Transparency from Multipurpose Feeder

1. On the printer operator panel press **MENU**.
2. Press ▼ to get to Tray Settings.
3. Press ► to select Tray Settings.
4. Press ▼ to get to Paper Size. (ONLY ON 3x00cn)
5. Press ► to select Paper Size. (ONLY ON 3x00cn)
6. Press ▼ to get to MPF. (ONLY ON 3x00cn)
7. Press ► to select MPF. (ONLY ON 3x00cn)
8. Using ▲ and ▼, select the appropriate paper size (Transparency). (ONLY ON 3x00cn)
9. Press the middle button, **SELECT**, once Transparency is displayed on the lower line, this puts a \* by it. (ONLY ON 3x00cn)
10. Now we have the MPF Size set to Transparency. (ONLY ON 3x00cn)
11. Now press **MENU** to get back to Tray Settings/Paper Size.
12. Press ▼ to get to Paper Type.
13. Press ► to select Paper Type.
14. Press ▼ to get to MPF.
15. Press ▼ to select MPF.
16. Using ▲ and ▼, select the appropriate paper type (Plain 1).
17. Press **SELECT**, once Plain 1 is displayed on the lower line.
18. Now we have the MPF Type set to Plain 1.
19. Now press **MENU** to get back to Ready to Print
20. Now insert the Transparency-sized stack of paper into the MPF.
21. On the screen MPF/Transparency will appear. (ONLY ON 3x00cn)
22. Press **SELECT** to confirm this. (ONLY ON 3x00cn)
23. Now on the screen MPF/Plain 1 will appear.
24. Press **SELECT** to confirm this.
25. We now have all the hardware settings on the printer correct

Now, all software settings screen shots are from WORD, this was done in Word. However if in any application, you go **File** ® **Print** and then click the **Properties** button, you will get this same driver properties window.

26. Open up Word and create a new document.

27. Go to **File** ® **Print**.
28. Select the Dell Color Laser Printer from the printers list
29. Click the **Properties** button to the right.
30. This brings up Driver Properties.
31. Click on the Paper Tray Tab.
32. Change the Paper Source to MPF.
33. Click the Paper Tab.
34. Select in paper size, Transparency.
35. Select for Output Size, Same as Paper Size.
36. Click **OK**.
37. Click **Close**.
38. Now the printer driver is setup correctly.
39. Now go to **File** ® **Page Setup**.
40. Click the Paper Tab.
41. Change Paper Size to Legal.
42. Change the Paper source settings BOTH to "DEFAULT TRAY AS PER PRINTER".
43. Click **OK**.
44. Type in some gibberish in the body of the document and click Print!

### Setup printing Envelope from Multipurpose Feeder

1. On the printer operator panel press **MENU**.
2. Press ▼ to get to Tray Settings.
3. Press ► to select Tray Settings.
4. Press ▼ to get to Paper Size. (ONLY ON 3x00cn)
5. Press ► to select Paper Size. (ONLY ON 3x00cn)
6. Press ▼ to get to MPF. (ONLY ON 3x00cn)
7. Press ► to select MPF. (ONLY ON 3x00cn)
8. Using ▲ and ▼, select the appropriate paper size (Envelope). (ONLY ON 3x00cn)
9. Press the middle button, **SELECT**, once Envelope is displayed on the lower line, this puts a \* by it. (ONLY ON 3x00cn)
10. Now we have the MPF Size set to Envelope. (ONLY ON 3x00cn)
11. Now press **MENU** to get back to Tray Settings/Paper Size.
12. Press ▼ to get to Paper Type.
13. Press ► to select Paper Type.
14. Press ▼ to get to MPF.

15. Press ▼ to select MPF.
16. Using ▲ and ▼ , select the appropriate paper type (Plain 1).
17. Press **SELECT**, once Plain 1 is displayed on the lower line.
18. Now we have the MPF Type set to Plain 1.
19. Now press **MENU** to get back to Ready to Print
20. Now insert the Envelope-sized stack of paper into the MPF.
21. On the screen MPF/Envelope will appear. (ONLY ON 3x00cn)
22. Press **SELECT** to confirm this. (ONLY ON 3x00cn)
23. Now on the screen MPF/Plain 1 will appear.
24. Press **SELECT** to confirm this.
25. We now have all the hardware settings on the printer correct

Now, all software settings screen shots are from WORD, this was done in Word. However if in any application, you go **File ® Print** and then click the **Properties** button, you will get this same driver properties window.

26. Open up Word and create a new document.
27. Go to **File ® Print**.
28. Select the Dell Color Laser Printer from the printers list
29. Click the **Properties** button to the right.
30. This brings up Driver Properties.
31. Click on the Paper Tray Tab.
32. Change the Paper Source to MPF.
33. Click the Paper Tab.
34. Select in paper size, Transparency.
35. Select for Output Size, Same as Paper Size.
36. Click **OK**.
37. Click **Close**.
38. Now the printer driver is setup correctly.
39. Now go to **File ® Page Setup**.
40. Click the Paper Tab.
41. Change Paper Size to Legal.
42. Change the Paper source settings BOTH to "DEFAULT TRAY AS PER PRINTER".
43. Click **OK**.
44. Type in some gibberish in the body of the document and click Print!

## Setup Paper Size

1. Start Here
2. On the printer press **MENU**.
3. Press ▼ to get to Tray Settings.
4. Press ► to select Tray Settings.
5. Press ▼ to get to Paper Size.
6. Press ► to select Paper Size.
7. Press ▼ to get to MPF.
8. Press ► to select MPF.
9. Using ▲ and ▼ , select the appropriate paper size (Letter).
10. Press the middle button, **SELECT**, once Letter is displayed on the lower line, this puts a \* by it.
11. Now we have the MPF Size set to Letter.
12. Now press **MENU** to get back to Tray Settings/Paper Size.
13. Press ▼ to get to Paper Type.
14. Press ► to select Paper Type.
15. Press ▼ to get to MPF.
16. Press ▼ to select MPF.
17. Using ▲ and ▼ , select the appropriate paper type (Plain 1).
18. Press **SELECT**, once Plain 1 is displayed on the lower line.
19. Now we have the MPF Type set to Plain 1.
20. Now press **MENU** to get back to Ready to Print
21. Now insert the Letter-sized stack of paper into the MPF.
22. On the screen MPF/Letter will appear.
23. Press **SELECT** to confirm this.
24. Now on the screen MPF/Plain 1 will appear.
25. Press **SELECT** to confirm this.
26. We now have all the hardware settings on the printer correct

Now, all software settings screen shots are from WORD, this was done in Word. However if in any application, you go **File** ® **Print** and then click the **Properties** button, you will get this same driver properties window.

27. Open up Word and create a new document.
28. Go to **File** ® **Print**.
29. Select the Dell Color Laser Printer from the printers list
30. Click the **Properties** button to the right.
31. This brings up Driver Properties.

32. Click on the Paper Tray Tab.
33. Change the Paper Source to MPF.
34. Click the **MPF Settings** button.
35. Select Plain 1 from the list of paper types.
36. Click **OK**.
37. Now click the Paper Tab.
38. Select in paper size, Letter.
39. Select for Output Size, Same as Paper Size.
40. Click **OK**.
41. Click **Close**.

## Setup Paper Type

Paper type	Weight (gsm)	Remarks
Plain1	60-80	-
Plain2	81-105	-
Covers1	106-163	-
Covers2	164-216	-
Coated1	106-163	BJP (Bubble Jet Printer) paper cannot be used.
Coated2	164-216	BJP (Bubble Jet Printer) paper cannot be used.
Transparency	-	BJP (Bubble Jet Printer) paper cannot be used.
Label	-	BJP (Bubble Jet Printer) paper cannot be used.
Envelopes	-	-

Configuration

## Parallel Printing

A local printer is a printer attached to your computer or a print server using a USB or parallel cable.

### Installing Printer Drivers

#### Connecting the Printer to the Computer Before Inserting the Drivers and Utilities CD

##### Windows 98, Me, 2000, XP, and Server 2003

1. Connect your printer to your computer.
2. When the **Found New Hardware Wizard** appears, click **Cancel**.

3. Insert the *Drivers and Utilities* CD into your computer.
4. Click **Personal Installation**.
5. Click **Install**. The **Found New Hardware Wizard** appears.
6. Click **Next**. The wizard automatically finds and installs the corresponding printer driver.
7. When the **Complete the Found New Hardware Wizard** screen appears, click **Finish**.
8. Select either the **Typical Installation** or **Custom Installation** checkbox, and then click **Next**. If you select **Custom Installation**, you can select the specific software you want to install.
9. When the **Congratulations!** screen appears, in Windows 2000, Windows XP, and Server 2003, click **Printer Test Page**. Click **Finish**.
10. Click **Cancel**.

### Windows 95 and NT 4.0

1. Connect your printer to your computer.
2. Insert the *Drivers and Utilities* CD into your computer.
3. Click **Personal Installation**.
4. On the **Add Printer** screen, select the port name from the **Port Name** combo box, and then set the printer's options under **Printer Configuration**. Click **Next**.
5. Select either the **Typical Installation** or **Custom Installation** checkbox, and then click **Next**. If you select **Custom Installation**, you can select the specific software you want to install.
6. When the **Congratulations!** screen appears, click **Finish**.
7. Click **Cancel**.

## USB Printing

A local printer is a printer attached to your computer or a print server using a USB or parallel cable.

### Installing Printer Drivers

Connecting the Printer to the Computer Before Inserting the Drivers and Utilities CD

### Windows 98, Me, 2000, XP, and Server 2003

1. Connect your printer to your computer.
2. When the **Found New Hardware Wizard** appears, click **Cancel**.
3. Insert the *Drivers and Utilities* CD into your computer.
4. Click **Personal Installation**.
5. Click **Install**. The **Found New Hardware Wizard** appears.
6. Click **Next**. The wizard automatically finds and installs the corresponding printer driver.
7. When the **Complete the Found New Hardware Wizard** screen appears, click **Finish**.
8. Select either the **Typical Installation** or **Custom Installation** checkbox, and then click **Next**. If you select **Custom Installation**, you can select the specific software you want to install.








9. When the **Congratulations!** screen appears, in Windows 2000, Windows XP, and Server 2003, click **Printer Test Page**. Click **Finish**.
10. Click **Cancel**.

## Windows 95 and NT 4.0

1. Connect your printer to your computer.
2. Insert the *Drivers and Utilities* CD into your computer.
3. Click **Personal Installation**.
4. On the **Add Printer** screen, select the port name from the **Port Name** combo box, and then set the printer's options under **Printer Configuration**. Click **Next**.
5. Select either the **Typical Installation** or **Custom Installation** checkbox, and then click **Next**. If you select **Custom Installation**, you can select the specific software you want to install.
6. When the **Congratulations!** screen appears, click **Finish**.
7. Click **Cancel**.

## Setup Network

### Print and Check the Printer Settings Page

1. Print the Printer Settings page.
  - a. When *Ready to Print* appears in the LCD, press **Menu**.
  - b. Press  until *Configure* appears, and then press  or .
  - c. Press  until *Reports* appears, and then press  or .
  - d. *Printer Settings* is displayed. Press .

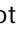
The Printer Settings page is printed.

2. Under the TCP/IP heading, verify the IP address.

If the IP address is 0.0.0.0, wait for a few minutes to resolve the IP address automatically, and then print the Printer Settings page again.

### Run the Installation Software

1. Insert the *Drivers and Utilities* CD into your computer.
2. The *Drivers and Utilities* CD should launch the installation software automatically.

If the CD does not automatically launch, click **Start**  **Run**, type `D:\CDFE.exe` (where D is the drive letter of your CD), and then click **OK**.


3. When the *Drivers and Utilities* CD screen appears, click **Network Installation - Install the printer for use on a network**. If using Windows XP, Windows 2000, Windows NT 4.0, or Windows 2003 Server, go to step 4. For all other operating systems, go to step 5.
4. For local installation, select **Local Installation - Install printer on this computer**, and then click **Next**.



For remote installation:

- a. Select **Remote Installation - Install printer on one or more remote computers**, and then click **Next**.
  - b. Enter your Administrator user name, password, and clients or servers and then click **Add**.
  - c. Click **Next**.
5. Select the network printer you would like to install. If you do not see your printer listed, click **Update** to refresh the list or click **Add Printer** to add a printer to the network. You may update the IP address and port name at this point. Click **Next**.
  6. Select your printer from the list. If you would like to change the printer name listed, enter a new name in the Printer Name field.
  7. If you want other users on the network to access this printer, select **Share this printer with other computers on the network**, and then enter a share name that users will easily identify.
  8. If you want to set a printer as the default, select the printer and then click the **Set this printer as default** check box.
  9. If you want to restrict color printing, select the appropriate Color Track option. Enter the password.
  10. Click **Next**.
  11. Select the software and documentation you want to install. You can specify the destination folder to install the Dell software and documentation. To change the destination folder, click Browse....
  12. Click Next.
  13. When the Congratulations! screen appears, select whether or not to restart your computer, and then click **Finish**.

Use the Dell Printer Configuration Web Tool to monitor the status of your network printer without leaving your desk. You can view and/or change the printer configuration settings, monitor toner level, and when it is time to order replacement toner cartridges, just click the Dell supplies link right from your Web browser.

 **NOTE:** The **Dell Printer Configuration Web Tool** is not available when the printer is locally attached to a computer or a print server.




To launch the Dell Printer Configuration Web Tool, type the network printer IP address in your Web browser, and the printer configuration appears on the screen. Refer to your *User's Guide* for more information.

You can set up the Dell Printer Configuration Web Tool to send you an email when the printer needs supplies or intervention.

To set up email alerts:

1. Launch the Dell Printer Configuration Web Tool.
2. Click **E-Mail Alert** link.
3. Under **Setup E-Mail Lists and Alerts**, enter the Primary SMTP Gateway, the Reply Address, and enter your email address or the key operator's email address in the email list box.
4. Click **Apply New Settings**.

## Setup Security

1. Press **Menu**.
2. Press  until **Printer Settings** appears, and then press  or .

3. Press ▼ until **Printer Settings** appears, and then press ► or ⏴ .
4. Press ▼ until **Security Settings** appears, and then press ► or ⏴ .  
Security Settings is displayed.


### Purpose:

To set or change the password to limit access to the menus from the operator panel.

Set the password of the **Dell Printer Configuration Web Tool** from **Set Password** in **Print Server Settings**.

### Values:

<b>Panel Lock</b>	Specifies whether to limit access to the menus.
<b>Change Password</b>	Sets a password to limit access to the menus.
<b>Re-enter Password</b>	Type the new password again to confirm.

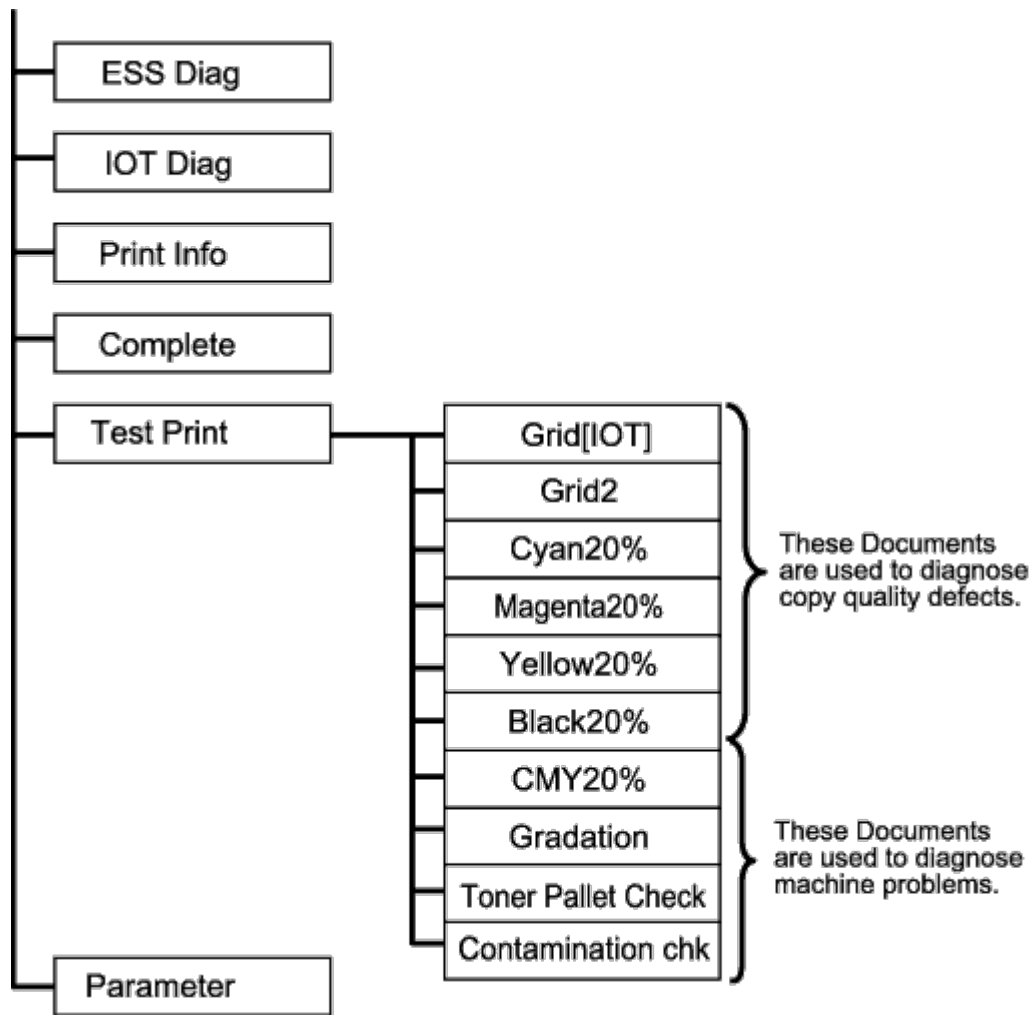
 **NOTE:** This menu sets a password to lock the operator panel. When changing the password for the **Dell Printer Configuration Web Tool**, click **Set Password** on the left frame and set the password.

## Trouble Shooting Instructions

Use the Customer Mode to locate the unit in the printer that causes a problem.

### Diagnostic Menu Map (Customer Mode)

1. Turn off the printer.
2. Turn on the printer while holding down ▲ and ▼ .  
The Customer Mode menu appears.



## Testing "Print Quality"

"Print Quality" is used to diagnose print quality defects.

1. On the Customer Mode menu, go down to Cyan20%, Magenta20%, Yellow20%, or Black20% and press **↵**.

Cyan20%	Outputs cyan toner at 20% density on the whole area of the paper.
Magenta20%	Outputs magenta toner at 20% density on the whole area of the paper.
Yellow20%	Outputs yellow toner at 20% density on the whole area of the paper.
Black20%	Outputs black toner at 20% density on the whole area of the paper.

After you output the test results, contact Dell.

## Testing "Toner Pallets Check" or "Contamination Check"

"Toner Pallet Check" and "Contamination Chk" are used to diagnose machine problems.

1. On the Customer Mode menu, go down to TonerPalletCheck or ContaminationChk, and press **↵**.

Toner Pallet Check	Allows you to identify the problem with the toner when print quality problems occur while printing pictures or photos.
Contamination Check	Allows you to check for any regular lines or spots when printing if print quality problems are occurring.

After you output the test results, contact Dell.


## Clear NVRAM

You can restore the original factory default menu settings by initializing NVRAM.

1. Press **Menu**.
2. Press ▼ until **Configure** appears, and then press ► or ⏴.
3. Press ▼ until **Maintenance** appears, and then press ► or ⏴.
4. Press ▼ until **Init NVRAM** appears, and then press ► or ⏴.
5. The **Init NVRAM Are you sure?** message appears on the operator panel. Press ⏴.
6. Turn off the printer, and then on again.


## Others


### How to replace the Drum Cartridge

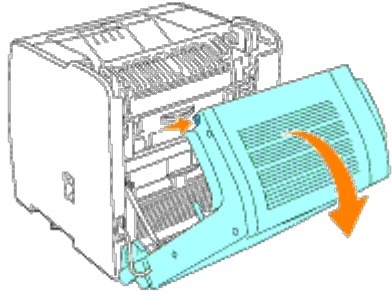
 **CAUTION:** Before performing any of the following procedures, read and follow the safety instructions in your *Owner's Manual*.

Dell cartridges are available only through Dell. You can order more online at <http://www.dell.com/supplies> or by phone. To order by phone, see your *Owner's Manual*.

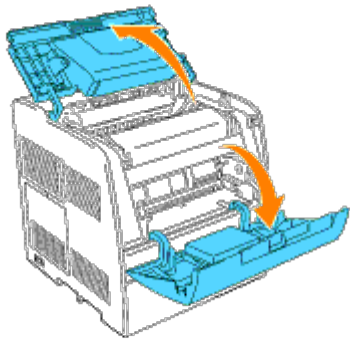
Dell recommends Dell drum cartridges for your printer. Dell does not provide warranty coverage for problems caused by using accessories, parts, or components not supplied by Dell.

 **NOTE:** Remove any print jobs from the center output tray and close the multipurpose feeder cover before opening the top cover or front door.

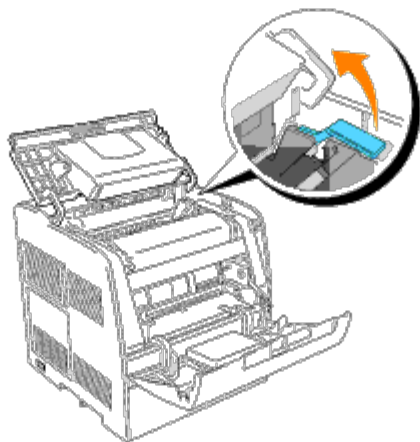
 **NOTE:** First pull the optional duplex module back if it is installed.



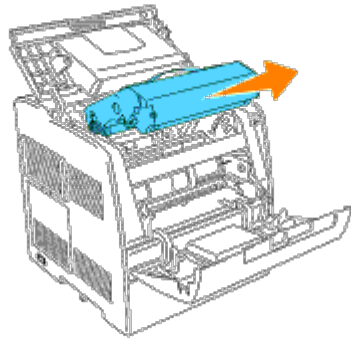
1. To open both covers on the printer, grab the notch in the front door and pull forward. Lift the top cover and push back.



2. To remove the used drum cartridge, push up the lever on the right side of the printer.



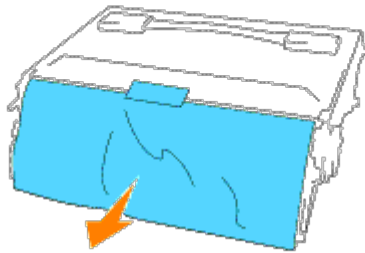
3. Grab the drum cartridge by the handle, and pull it up and out.



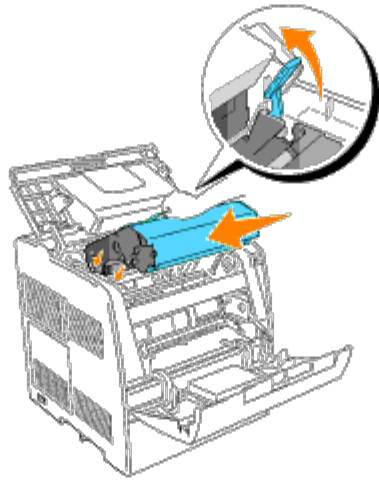
**⚠ CAUTION:** Do not touch inside the printer with your hands. Some parts may be hot. Allow time for the printer to cool before attempting to remove parts in this area.

4. Remove the protective sheet from the drum cartridge.

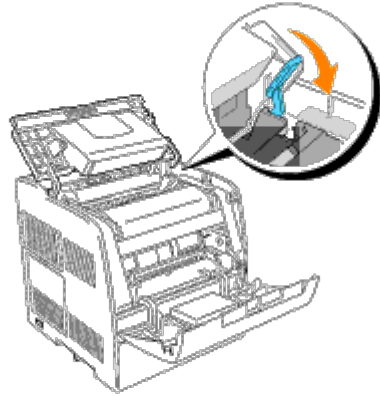
**⚠ CAUTION:** Do not touch the drum at the bottom of the drum cartridge.



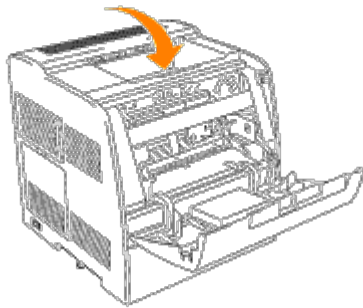
5. To insert the drum cartridge, push up the lever on the right side of the printer. With the lever in the upright position, hold the drum cartridge by the handle, align the arrows on the drum cartridge with the corresponding arrows on the printer and guide the cartridge in until it snaps into place.



6. Pull down the lever on the right to lock the drum cartridge in place.



7. Close the top cover.



## How to install the Toner Cartridge

**⚠ CAUTION:** Before performing any of the following procedures, read and follow the safety instructions in your *Owner's Manual*.

In addition to the toner level indicator that appears each time you send a job to print, a message appears on the operator panel to alert you when it's time to order a new toner cartridge.

Dell toner cartridges are available only through Dell. You can order more toner online at <http://www.dell.com/supplies> or by phone. To order by phone, see "Ordering Toner Cartridges" in your *Owner's Manual*.

Dell recommends Dell toner cartridges for your printer. Dell does not provide warranty coverage for problems caused by using accessories, parts, or components not supplied by Dell.

### Selecting a Replacement Toner Cartridge

1. Press **Menu**.
2. Press ▼ until **Replace Toner** appears, and then press ► or ⏴.
3. Press ▲ ▼ until the desired toner to replace appears, and press ⏴.

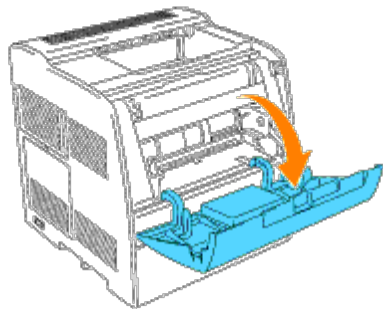
**🔧 NOTE:** Each time you replace a black cartridge, you should use the cleaning rod. See "[Cleaning Inside the Printer](#)."

### Replacing the Used Toner Cartridge

**🔧 NOTE:** Remove any print jobs from the center output tray and close the multipurpose feeder cover before opening the front door.

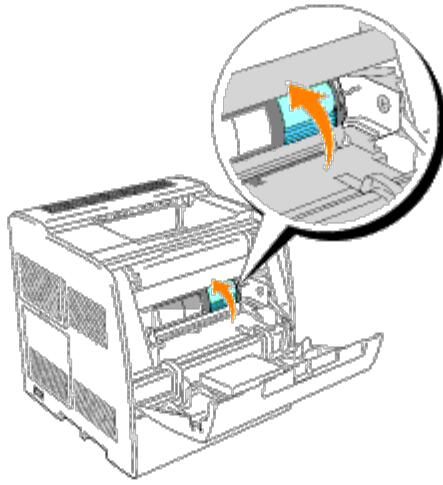
1. Grab the notch in the front door and pull forward.

The toner cartridge that must be replaced has moved to the front of the printer.

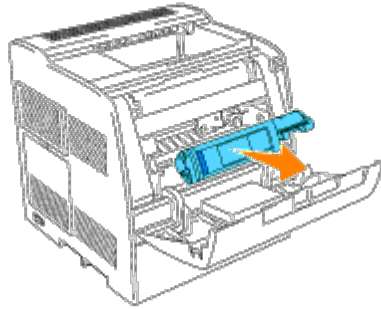


2. Push up the handhold on the right to unlock the cartridge.



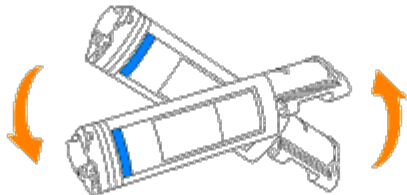


3. Hold the toner cartridge and pull out the cartridge.

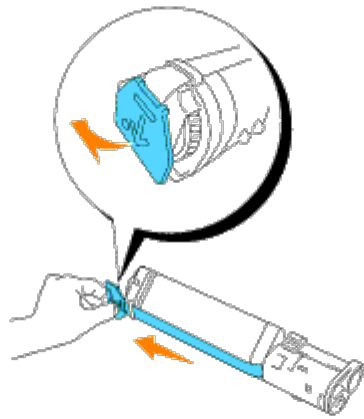


**⚠ CAUTION:** Do not touch inside the printer with your hands. Some parts may be hot.

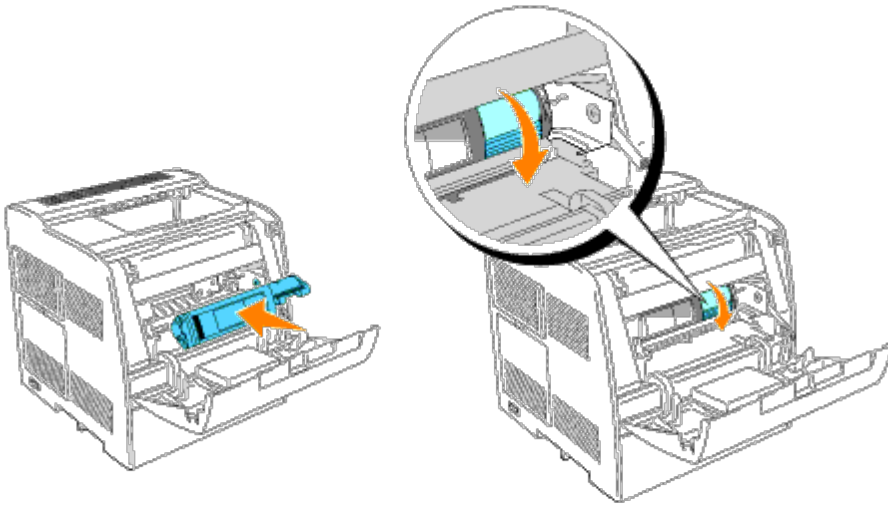
4. Make sure the color of the toner cartridge matches the slot on the toner cartridge carrier. Gently shake the cartridge to distribute the toner evenly.




5. Lift the tab up 90 degrees and pull the toner seal straight off, keeping it parallel with the toner cartridge.

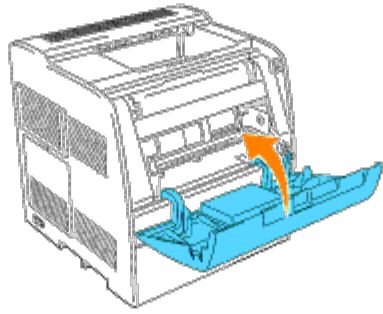


6. To insert the toner cartridge, align the arrows on the cartridge with the corresponding arrows on the printer. Guide the cartridge in until it snaps into place, and then push down the handhold to lock the cartridge in place.



7. If replacing just one toner cartridge, close the front door and you are finished.

 **NOTE:** Make sure the toner cartridge is installed correctly. Otherwise, the front door cannot close firmly.

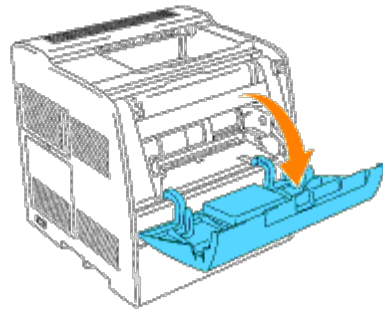


8. Repeat steps 4 through 7 when inserting the remaining cartridges.

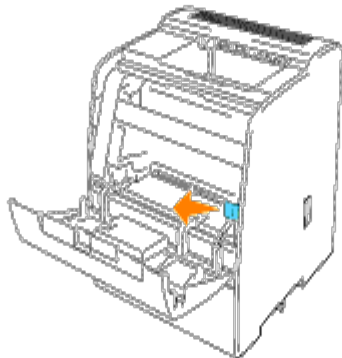
## Basic toner cleaning instructions

A cleaning rod for cleaning inside the printer is installed on your printer.

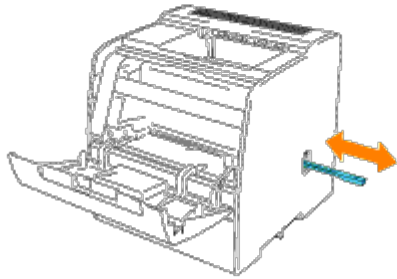
1. Open the front door.



2. Pull out the slide bar that is inside the printer on the right side until it stops. The access window cover slides open.



3. Hold the cleaning rod and push the rod in and pull out once to clean inside the printer.



4. Push the slide bar back to its original position.

5. Close the front door.

# Maintaining Your Printer

Periodically your printer requires you to complete certain tasks to maintain optimum print quality. If several people are using the printer, you may want to designate a key operator to maintain your printer. Refer printing problems and maintenance tasks to this key operator.

- [Determining the Status of Supplies](#)
  - [Conserving Supplies](#)
  - [Ordering Supplies](#)
  - [Storing Print Media](#)
  - [Storing the Drum and Toner Cartridges](#)
  - [Replacing the Drum Cartridges](#)
  - [Replacing the Toner Cartridge](#)
  - [Cleaning Inside the Printer](#)
- 

## Determining the Status of Supplies

If your printer is connected to the network, the **Dell Printer Configuration Web Tool** can provide instant feedback on remaining toner levels. Type the printer IP address in your Web browser to view this information. To use the E-Mail Alert Setup feature that notifies you when the printer requires new supplies, type your name or the name of the key operator in the e-mail list box.

On the operator panel, you can also confirm the following:

- Any supply or maintenance items that require attention replacing (However, the printer can only display information about one item at a time.)
  - Remains of each toner cartridges
- 

## Conserving Supplies

You can change several settings in your software program or on the operator panel to conserve toner and paper.

Supply	Setting	Function	For more information
Toner	Draft Mode in the Advanced	This check box allows the users to select a print mode that uses less toner. When this feature is used, the image quality will be lower than when it is not used.	
Print media	Multiple Up	The printer prints two or more pages on one side of a sheet. Values for <b>Multiple Up</b> are 2 Up, 4 Up, 8 Up, 16 Up, or 32 Up. Combined with the duplex setting, <b>Multiple Up</b> allows you to print up to 64 pages on one sheet of paper. (32 images on the front and 32 on the back)	
	Duplex	Double-sided printing is available when you attach the optional duplex module. This allows you to print on both sides of a sheet of paper.	" <a href="#">Duplex</a> "

---

## Ordering Supplies

You can order toner from Dell on the Internet when using a networked printer. Type the IP address of your printer in your Web browser, launch the **Dell Printer Configuration Web Tool**, and click the **Order Supplies at:** to order toner for your printer.

You can also order toner by the following method.

1. Click **Start** ® **All Programs** ® **Dell Printers** ® **Dell Laser Printer 3000cn** ® **Dell Supplies Management System**.

The **Dell Supplies Management System** window appears.

2. If ordering from the Web:
  - a. When you cannot get information from the printer automatically by two-way communication, a window that prompts you to type the Service Tag number appears. Type your Dell printer Service Tag number in the field provided.  
Your Service Tag number is located inside the front door of your printer.
  - b. Click **Visit Dell printer supplies ordering web site**.
3. If ordering by phone, call the number that appears under the **By Telephone** heading.

---

## Storing Print Media

To avoid potential paper feeding problems and uneven print quality, there are several things you can do.

- To achieve the best possible print quality, store print media in an environment where the temperature is approximately 21°C (70°F) and the relative humidity is 40%.
- Store cartons of print media on a pallet or shelf, rather than directly on the floor.
- If you store individual packages of print media out of the original carton, make sure they rest on a flat surface so the edges do not buckle or curl.
- Do not place anything on top of the print media packages.

---

## Storing the Drum and Toner Cartridges

Store the drum and toner cartridges in their original packaging until you need to use them. Do not store the cartridges in:

- Temperatures greater than 40°C (104°F).
- An environment with extreme changes in humidity or temperature.
- Direct sunlight.
- Dusty places.
- A car for a long period of time.
- An environment where corrosive gases are present.
- An environment with salty air.

---

## Replacing the Drum Cartridges

**⚠ CAUTION:** Before performing any of the following procedures, read and follow the safety instructions in your *Owner's Manual*.

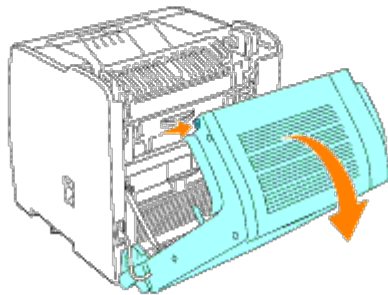
Dell cartridges are available only through Dell. You can order more online at <http://www.dell.com/supplies> or by phone. To order by phone, see your *Owner's Manual*.

Dell recommends Dell drum cartridges for your printer. Dell does not provide warranty coverage for problems caused by using accessories, parts, or components not supplied by Dell.

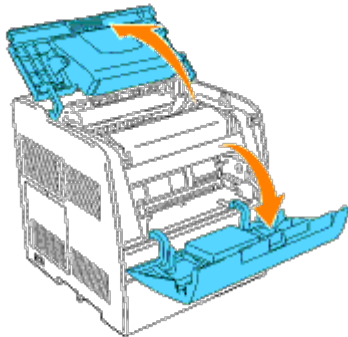
## Removing the Used Drum Cartridge

**🔧 NOTE:** Remove any print jobs from the center output tray and close the multipurpose feeder cover before opening the top cover or front door.

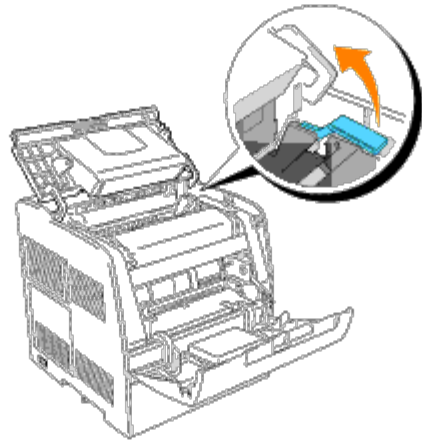
**🔧 NOTE:** First pull the optional duplex module back if it is installed.



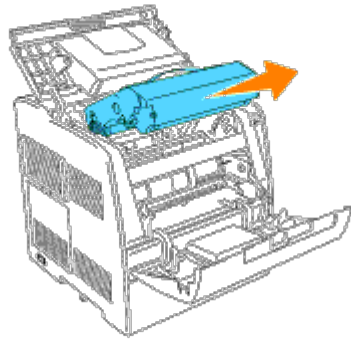
1. To open both covers on the printer, grab the notch in the front door and pull forward. Lift the top cover and push back.



2. To remove the used drum cartridge, push up the lever on the right side of the printer.



3. Grab the drum cartridge by the handle, and pull it up and out.



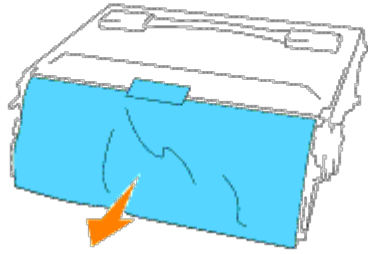
**⚠ CAUTION:** Do not touch inside the printer with your hands. Some parts may be hot. Allow time for the printer to cool before attempting to remove parts in this area.

## Installing the New Drum Cartridge

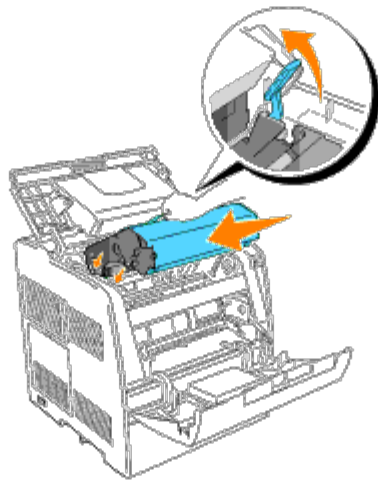
1. Remove the protective sheet from the drum cartridge.

**⚠ CAUTION:** Do not touch the drum at the bottom of the drum cartridge.

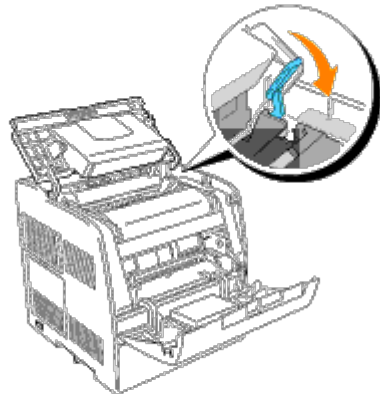




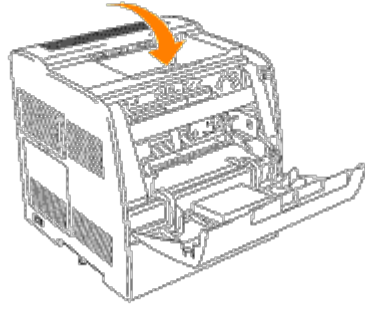
2. To insert the drum cartridge, push up the lever on the right side of the printer. With the lever in the upright position, hold the drum cartridge by the handle, align the arrows on the drum cartridge with the corresponding arrows on the printer and guide the cartridge in until it snaps into place.



3. Pull down the lever on the right to lock the drum cartridge in place.

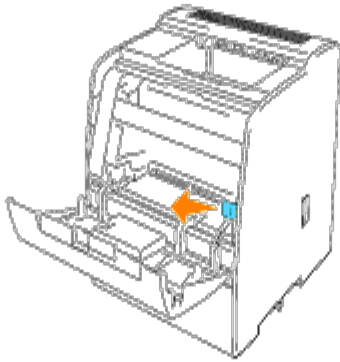


4. Close the top cover.

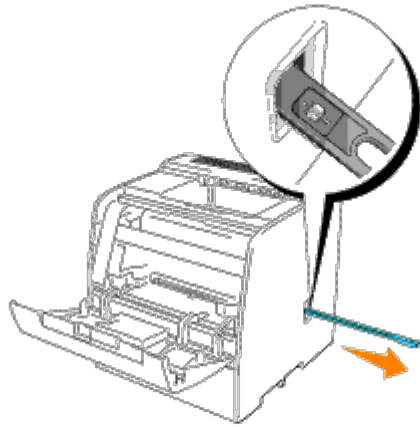


## Replacing the Cleaning Pad

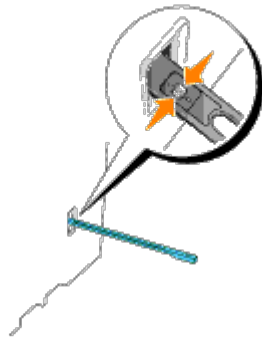
1. Pull out the slide bar that is inside the printer on the right side until it stops. The access window cover slides open.



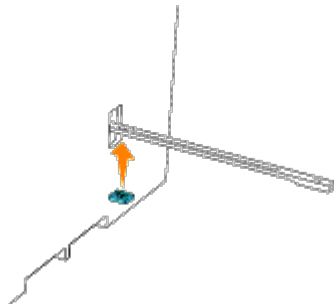
2. Pull the cleaning rod until the cleaning pad comes out of the printer.



3. Push the two tabs on the cleaning pad inward to remove the pad.

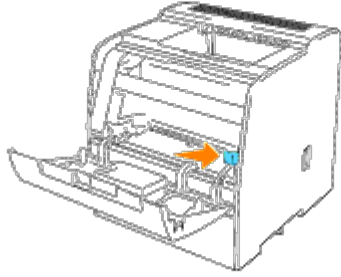


4. Hold the new cleaning pad under the cleaning rod and push it in until it clicks.




5. Push the cleaning rod back to its original position until it stops.

6. Push the slide bar back to its original position.



7. Close the front door.

 **NOTE:** When the optional duplex module has been opened, close it. Gently pull open the multipurpose feeder cover if necessary.

---

## Replacing the Toner Cartridge







 **CAUTION:** Before performing any of the following procedures, read and follow the safety instructions in your *Owner's Manual*.


In addition to the toner level indicator that appears each time you send a job to print, a message appears on the operator panel to alert you when it's time to order a new toner cartridge.

Dell toner cartridges are available only through Dell. You can order more toner online at <http://www.dell.com/supplies> or by phone. To order by phone, see "Ordering Toner Cartridges" in your *Owner's Manual*.


Dell recommends Dell toner cartridges for your printer. Dell does not provide warranty coverage for problems caused by using accessories, parts, or components not supplied by Dell.

## Selecting a Replacement Toner Cartridge

1. Press **Menu**.
2. Press  until **Replace Toner** appears, and then press  or .
3. Press   until the desired toner to replace appears, and press .

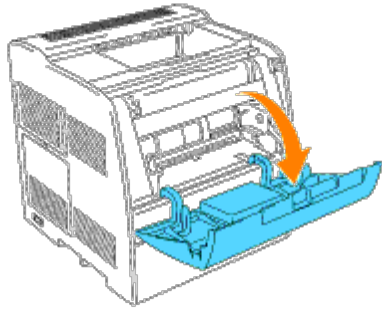
 **NOTE:** Each time you replace a black cartridge, you should use the cleaning rod. See "[Cleaning Inside the Printer](#)."

## Removing the Used Toner Cartridge

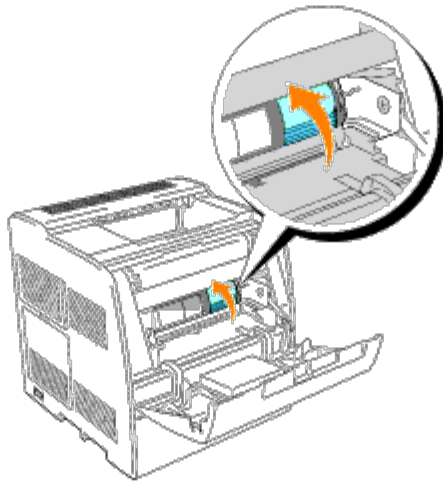
 **NOTE:** Remove any print jobs from the center output tray and close the multipurpose feeder cover before opening the front door.

1. Grab the notch in the front door and pull forward.

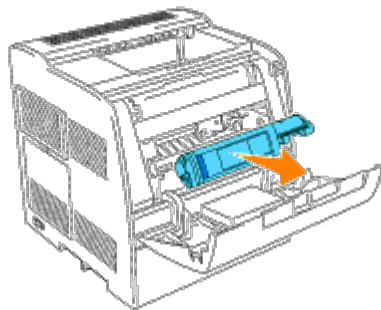
The toner cartridge that must be replaced has moved to the front of the printer.



2. Push up the handhold on the right to unlock the cartridge.



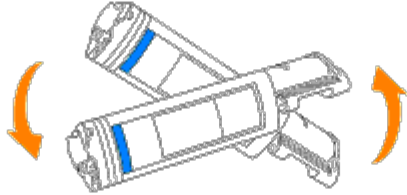
3. Hold the toner cartridge and pull out the cartridge.



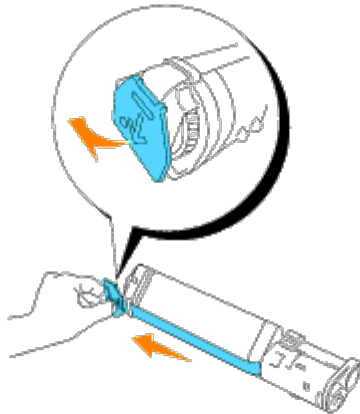
 **CAUTION:** Do not touch inside the printer with your hands. Some parts may be hot.

## Installing the New Toner Cartridge

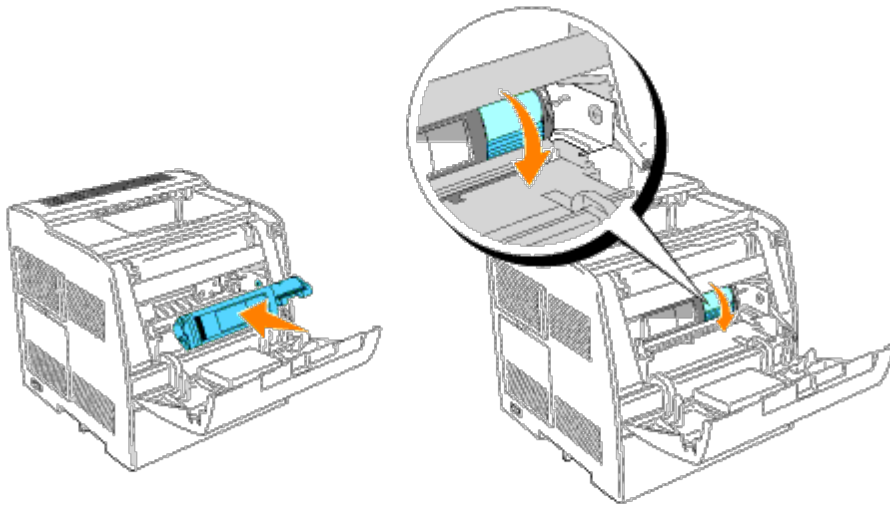
1. Make sure the color of the toner cartridge matches the slot on the toner cartridge carrier. Gently shake the cartridge to distribute the toner evenly.




2. Lift the tab up 90 degrees and pull the toner seal straight off, keeping it parallel with the toner cartridge.

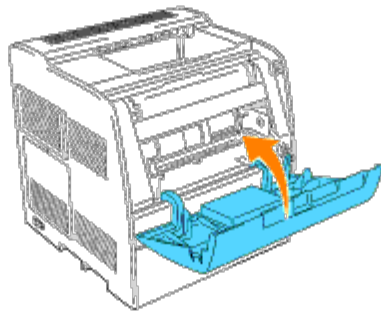


3. To insert the toner cartridge, align the arrows on the cartridge with the corresponding arrows on the printer. Guide the cartridge in until it snaps into place, and then push down the handhold to lock the cartridge in place.



4. If replacing just one toner cartridge, close the front door and you are finished.

 **NOTE:** Make sure the toner cartridge is installed correctly. Otherwise, the front door cannot close firmly.



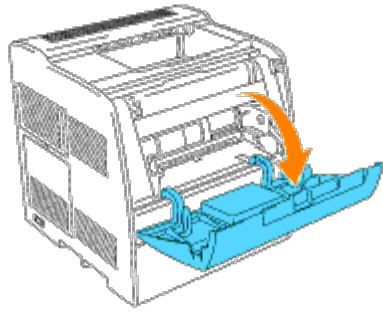
5. Repeat steps 1 through 4 when inserting the remaining cartridges.

---

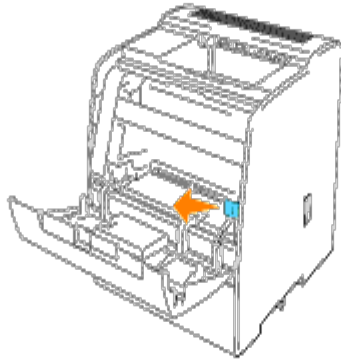
## Cleaning Inside the Printer

A cleaning rod for cleaning inside the printer is installed on your printer.

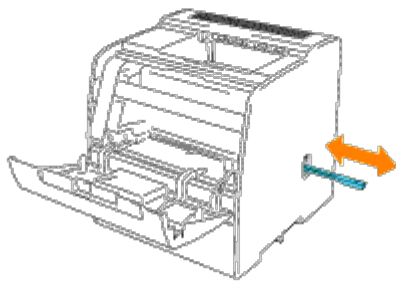
1. Open the front door.



2. Pull out the slide bar that is inside the printer on the right side until it stops. The access window cover slides open.



3. Hold the cleaning rod and push the rod in and pull out once to clean inside the printer.



4. Push the slide bar back to its original position.
5. Close the front door.



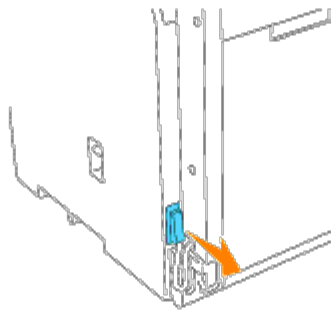
# Removing Options

If the printer location needs to change or the printer and print media handling options need to be shipped to a new location, all print media handling options must be removed from the printer. For shipping, pack the printer and print media handling options securely to avoid damage.

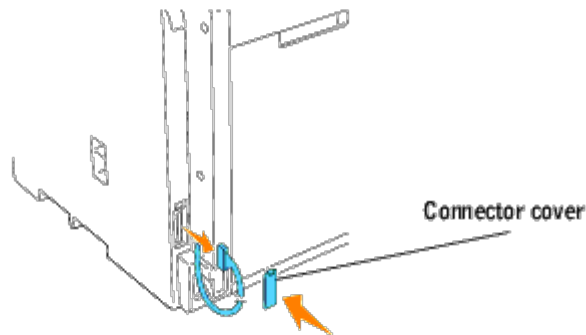
- [Removing the Optional Duplex Module](#)
  - [Removing Optional Tray Modules](#)
  - [Removing the Optional Memory Card](#)
- 

## Removing the Optional Duplex Module

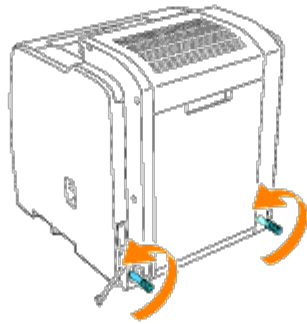
1. Remove the connector cover supplied with the duplex module.



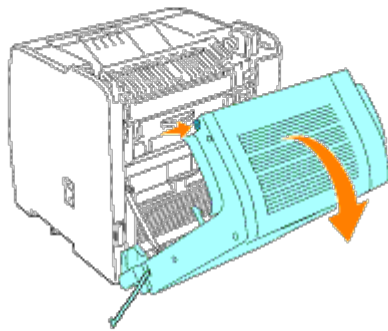
2. Disconnect the connector at the bottom left of the module. Then, attach the original connector cover into the connector.



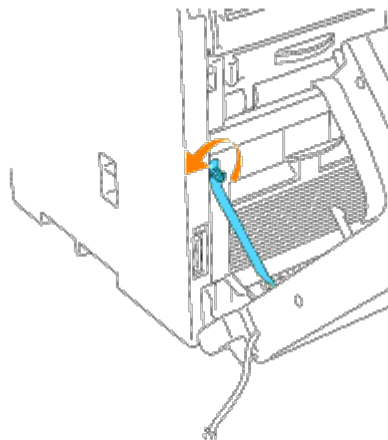
3. Turn off the printer and unplug the printer power cable.
4. Remove the screws on the left and right at the bottom of the duplex module while firmly holding the optional duplex module in a closed state.



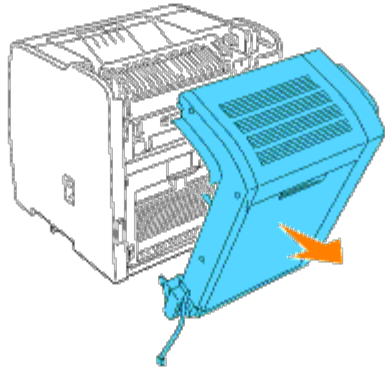
5. Grab the optional duplex module and pull down.



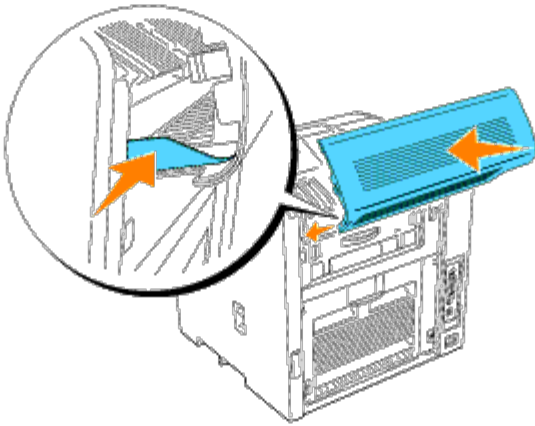
6. Remove the screws of the straps on the left and right of the module from the optional duplex module.



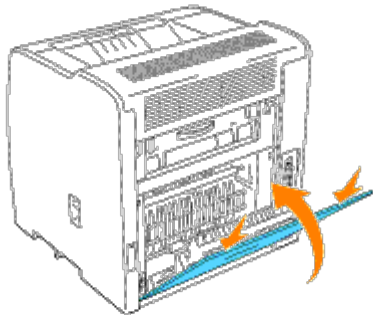
7. Remove the optional duplex module from the printer.



8. Gently push both sides of the bottom of the paper cover to install it.



9. Open the inner rear cover. Attach the cover, which you have kept since installing the duplex module, until it clicks, and then close the rear cover.



---

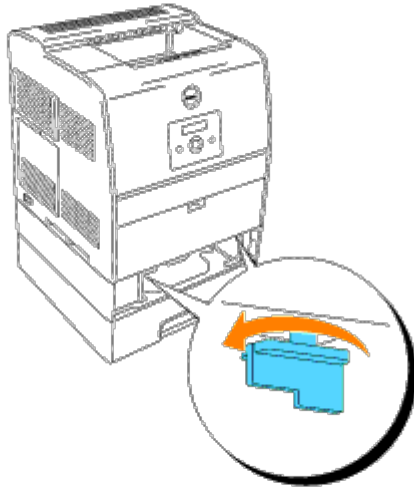
## Removing Optional Tray Modules

**⚠ CAUTION:** To lift the printer safely and replace the optional 250-sheet tray module or 500-sheet tray module requires two people to stand in front (operator panel side) and behind the printer and to lift at the same time. Do not try to lift the printer from the sides.

**⚠ CAUTION:** Make sure your fingers are not under the printer when you set it down.

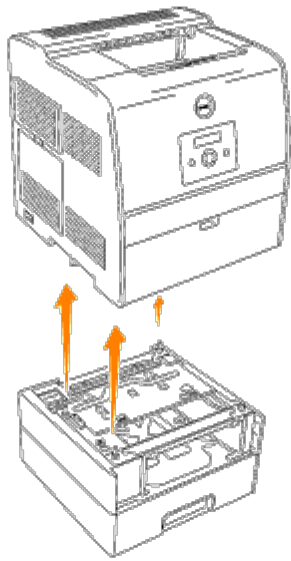
**📎 NOTE:** You can use a maximum of two trays with your printer (the optional 250-sheet tray module and one additional 250-sheet tray module or 500-sheet tray module).

1. Turn off the printer and unplug the printer power cable.
2. Unlock the tray from the printer by removing the tray from the tray module and turning the locking mechanism, inside the printer, as shown in the graphic.



3. Remove the printer from the tray.

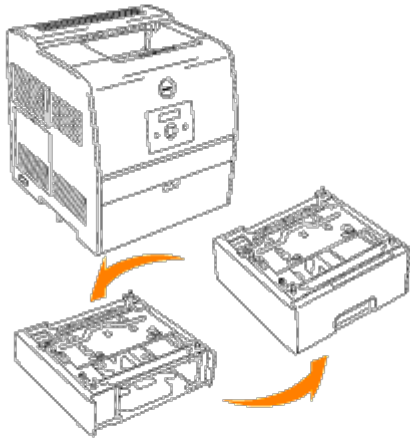
**⚠ CAUTION:** Lift the printer with two people, one facing the front of the printer (operator panel side) and the other facing the back. Never try to lift the printer while facing its right and left sides.



4. To unlock the trays, loosen the screws with a coin and remove them from the inside of the tray.



5. Remove the optional 250-sheet tray module or 500-sheet tray module.

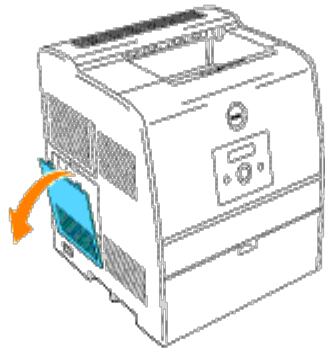


6. Replace the printer.

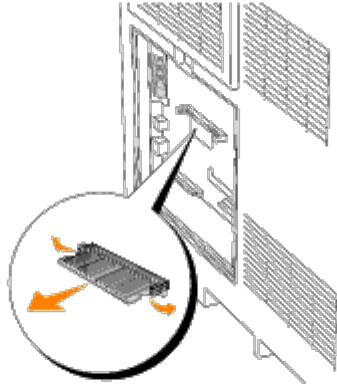
---

## Removing the Optional Memory Card

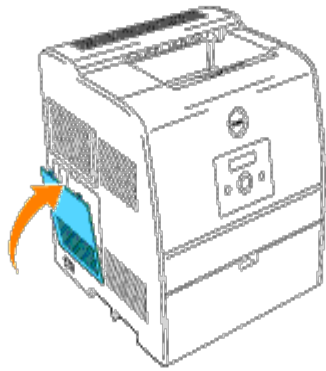
1. Make sure that the printer is turned off.
2. Remove the control board cover on the left side of the printer by pulling the notch.



3. Push the knobs on both sides of the slot outward. Remove the memory card from the slot.



4. Reattach the control board cover to the printer.



For more information, see "[Installing a Memory Card](#)".

# Printer Specifications

- [OS Compatibility](#)
  - [Dimensions](#)
  - [Memory](#)
  - [Page-description Language \(PDL\)/Emulation, Operating System, and Interface](#)
  - [Cartridge and Printer Life](#)
  - [Environmental](#)
  - [Cables](#)
- 

## OS Compatibility

Compatible with Windows<sup>®</sup> (XP/Me, 2000, Server 2003, NT 4.0/9x)

1 Dell networked Printers are compatible with Microsoft and Novell operating systems, but Dell telephone support only supports factory-installed operating systems (Microsoft) for the first 30 days for free. See <http://www1.us.dell.com/content/products/compare.aspx/laser?c=us&cs=555&l=en&s=biz> for more details. The customer will have to purchase technical support from the manufacturer of the operating system in order to get technical assistance beyond 30 days.

2 If the customer has other operating systems, such as Novell, and has purchased Gold Technical Support (for more information on Gold Technical Support, see [http://www.dell.com/us/en/gen/services/service\\_gts.htm](http://www.dell.com/us/en/gen/services/service_gts.htm)), the telephone support will be a "best effort" attempt to resolve the operating system issue. If the manufacturer needs to be contacted, the customer must pay an additional fee for that support. The only time that Dell pays for the third party support is when Dell is responsible for the issue. In the case of getting the printers installed and working, this is configuration and the customer would be responsible for paying.

---

## Dimensions

Height: 536 mm (21 in.) Width: 425 mm (16.7 in.) Depth: 420 mm (16.5 in.)  
Weight (not including cartridge): 31 kg (68.4 lb)

---

## Memory

Base memory	64 MB
Maximum memory	576 MB
Connector	144PIN SO-DIMM Non-ECC
DIMM Size	64 MB*, 128 MB, 256 MB, 512 MB
Speed	PC133, CL=2 or 3

\* Only the 64 memory supplied with the optional duplex module can be used. Other 64 memories cannot be used.

---

## Page-description Language (PDL)/Emulation, Operating System,



## and Interface

PDL/Emulations	PCL 6, PCL5e	
OSes	Windows 95/98/Me/2000/NT4.0/XP, Windows Server 2003	
Interfaces	Standard local:	USB, IEEE 1284
	Standard network:	10/100Base-Tx Ethernet

## MIB Compatibility

A Management Information Base (MIB) is a database containing information about network devices (such as adapters, bridges, routers, or computers). This information helps network administrators manage the network (analyze performance, traffic, errors, and so on). The 3000cn complies with standard industry MIB specifications, allowing the printer to be recognized and managed by various printer and network management software systems, such as IBM Tivoli, Hewlett-Packard OpenView, CA Unicenter, Hewlett-Packard Web JetAdmin, and so on.

---

## Cartridge and Printer Life

Toner cartridge yield at approximately 5% coverage	1,000 pages, 2,000 pages, 4,000 pages
Drum cartridge	24,000 pages
Duty cycle (maximum)	45,000 pages/month (25% coverage color) 60,000 pages/month (black and white only) (Reference)
Printer life	100,000 pages or 5 years, whichever comes first

---

## Environmental

### Operation

Temperature	5°C to 32°C
Relative humidity (non-condensing)	15% to 85%

### Storage

Temperature range	0 °F to 104 °F (-20°C to 40°C)
Storage humidity range	5% RH to 95% RH (non-condensing)

### Altitude

Operating	Up to 3,100 m (10,000 feet)
-----------	-----------------------------



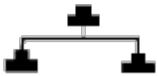
Storage	70.9275 Kpa
---------	-------------

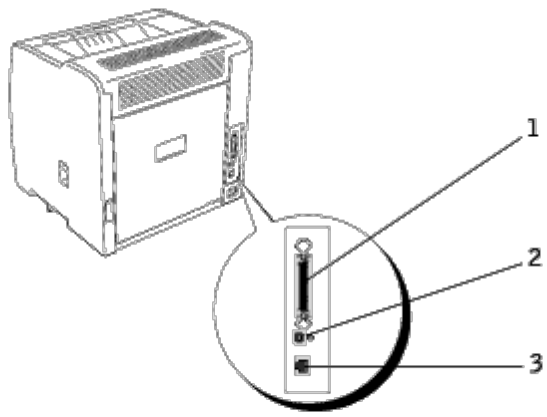
## Chemical Emission

Concentration of ozone	0.019 mg/m <sup>3</sup>
------------------------	-------------------------

## Cables

Your interconnection cable must meet the following requirements:


	Connection	Cable certification
1	Parallel (IEEE 1284)	 (Computer side)      (Printer side)
2	USB	USB2.0 
3	10/100Base-Tx Ethernet	CAT-5E 



# Safety and Regulatory Information

- [Safety Information](#)
  - [Regulatory Information](#)
  - [Noise Emissions Levels](#)
  - [Laser Notice](#)
  - [Energy Star](#)
- 

## Safety Information

 **CAUTION:** Read and follow all safety instructions in your *Owner's Manual* prior to setting up and operating your printer.

---

## Regulatory Information


### Federal Communications Commission (FCC) Compliance Information Statement (US Only)

The Dell Laser Printer 3000cn has been tested and found to comply with the limits for a Class B digital device, pursuant to Part 15 of the FCC Rules. Operation is subject to the following two conditions: (1) this device may not cause harmful interference, and (2) this device must accept any interference received, including interference that may cause undesired operation.

The FCC Class B limits are designed to provide reasonable protection against harmful interference in a residential installation. This equipment generates, uses and can radiate radio frequency energy and, if not installed and used in accordance with the instructions, may cause harmful interference to radio communications. However, there is no guarantee that interference will not occur in a particular installation. If this equipment does cause harmful interference to radio or television reception, which can be determined by turning the equipment off and on, the user is encouraged to try to correct the interference by one or more of the following measures:

- Reorient or relocate the receiving antenna.
- Increase the separation between the equipment and receiver.
- Connect the equipment into an outlet on a circuit different from that to which the receiver is connected.
- Consult your point of purchase or service representative for additional suggestions.

The manufacturer is not responsible for any radio or television interference caused by using other than recommended cables or by unauthorized changes or modifications to this equipment. Unauthorized changes or modifications could void the user's authority to operate this equipment.

 **NOTE:** To assure compliance with FCC regulations on electromagnetic interference for a Class A computing device, use a properly shielded and grounded cable. Use of a substitute cable not properly shielded and grounded may result in a violation of FCC regulations.

### FCC Identification Information

The following information is provided on the device or devices covered in this document in compliance with FCC regulations:

- Model number: Dell Laser Printer 3000cn

- Company name:

Dell Inc.  
One Dell Way  
Round Rock, Texas 78682 USA  
512-338-4400

## Industry Canada Compliance Statement

This Class B digital apparatus meets all requirements of the Canadian Interference-Causing Equipment Regulations.

## Avis de Conformité aux Normes de l'industrie du Canada

Cet appareil numérique de la classe B respecte toutes les exigences du Règlement sur le matériel brouilleur du Canada.

## European Community (EC) Directives Conformity

### With a Network Cable Attached

This product is in conformity with the protection requirements of EC Council directives 89/336/EEC and 73/23/EEC on the approximation and harmonization of the laws of the Member States relating to electromagnetic compatibility and safety of electrical equipment

This product satisfies the Class B limits of EN 55022 and safety requirements of EN 60950.

### Without a Network Cable Attached

This product is in conformity with the protection requirements of EC Council directives 89/336/EEC and 73/23/EEC on the approximation and harmonization of the laws of the Member States relating to electromagnetic compatibility and safety of electrical equipment designed for use within certain voltage limits.

This product satisfies the Class B limits of EN 55022 and safety requirements of EN 60950.

- ➡ **NOTICE:** When a print server is installed, this is a Class A product. In a domestic environment, this product may cause radio interference, in which case, the user may be required to take adequate measures.

## CE Notice (European Union)

Marking by the symbol **CE** indicates compliance of this Dell printer to the EMC Directive and the Low Voltage Directive of the European Union. Such marking is indicative that this Dell system meets the following technical standards:

- EN 55022 — *Information Technology Equipment — Radio Disturbance Characteristics — Limits and Methods of Measurement.*
- EN 55024 — *Information Technology Equipment - Immunity Characteristics - Limits and Methods of Measurement.*
- EN 61000-3-2 — *Electromagnetic Compatibility (EMC) - Part 3: Limits - Section 2: Limits for Harmonic Current Emissions (Equipment Input Current Up to and Including 16 A Per Phase).*
- EN 61000-3-3 — *Electromagnetic Compatibility (EMC) - Part 3: Limits - Section 3: Limitation of Voltage Fluctuations*

and Flicker in Low-Voltage Supply Systems for Equipment With Rated Current Up to and Including 16 A.

- EN 60950 — *Safety of Information Technology Equipment.*

 **NOTE:** EN 55022 emissions requirements provide for two classifications:

- Class B is for typical domestic areas.

This Dell device is classified for use in a typical Class B domestic environment.

A *Declaration of Conformity* in accordance with the preceding directives and standards has been made and is on file at Dell Inc. Products Europe BV, Limerick, Ireland.

## CE Mark Notice

This equipment complies with the essential requirements of the European Union Directive 1999/5/EC.

**Cet équipement est conforme aux principales caractéristiques définies dans la Directive européenne RTTE 1999/5/CE.**

**Die Geräte erfüllen die grundlegenden Anforderungen der RTTE-Richtlinie (1999/5/EG).**

**Questa apparecchiatura è conforme ai requisiti essenziali della Direttiva Europea R&TTE 1999/5/CE.**

**Este equipo cumple los requisitos principales de la Directiva 1999/5/CE de la UE, "Equipos de Terminales de Radio y Telecomunicaciones".**

**Este equipamento cumpre os requisitos essenciais da Directiva 1999/5/CE do Parlamento Europeu e do Conselho (Directiva RTT).**

**Ο εξοπλισμός αυτός πληροί τις βασικές απαιτήσεις της κοινοτικής οδηγίας EU R&TTE 1999/5/EK.**

**Deze apparatuur voldoet aan de noodzakelijke vereisten van EU-richtlijn betreffende radioapparatuur en telecommunicatie-eindapparatuur 1999/5/EC.**

**Dette udstyr opfylder de Væsentlige krav i EU's direktiv 1999/5/EC om Radio- og teleterminaludstyr.**

**Dette utstyret er i overensstemmelse med hovedkravene i R&TTE-direktivet (1999/5/EC) fra EU.**

**Utrustningen uppfyller kraven för EU-direktivet 1999/5/EC om ansluten teleutrustning och ömsesidigt erkännande av utrustningens överensstämmelse (R&TTE).**

**Tämä laite vastaa EU:n radio- ja telepäätelaitedirektiivin (EU R&TTE Directive 1999/5/EC) vaatimuksia.**

## NOM Information (Mexico Only)

The following information is provided on the device(s) described in this document in compliance with the requirements of the official Mexican standards (NOM):

Exporter:	Dell Inc. One Dell Way
-----------	---------------------------

	Round Rock, TX 78682
Importer:	Dell Computer de México, S.A. de C.V. Paseo de la Reforma 2620 - 11° Piso Col. Lomas Altas 11950 México, D.F.
Ship to:	Dell Computer de México, S.A. de C.V. al Cuidado de Kuehne & Nagel de México S. de R.L. Avenida Soles No. 55 Col. Peñon de los Baños 15520 México, D.F.
Model number:	Dell Laser Printer 3000cn
Supply voltage:	110-127 VAC
Frequency:	50/60 Hz
Current consumption:	7.0 A

## Noise Emissions Levels

The following measurements were made in accordance with ISO 7779 and reported in conformance with ISO 9296.

Average sound power	
Printing	6.5 B
Idling	Background level

## Laser Notice

The printer is certified in the U.S. to conform to the requirements of DHHS 21 CFR Subchapter J for Class I (1) laser products, and elsewhere is certified as a Class I laser product conforming to the requirements of IEC 60825-1.

Class I laser products are not considered to be hazardous. The printer contains internally a Class IIIb (3b) laser that is nominally a 5 milliwatt gallium arsenide laser operating in the wavelength region of 770-795 nanometers. The laser system and printer are designed so there is never any human access to laser radiation above a Class I level during normal operation, user maintenance, or prescribed service condition.

## Energy Star

### ENERGY STAR® Compliance

Certain configurations of Dell printers comply with the requirements set forth by the Environmental Protection Agency (EPA) for energy-efficient printers. If the front panel of your printer bears the ENERGY STAR® Emblem, your original configuration complies with these requirements and all ENERGY STAR® power management features of the printer are enabled.

Any Dell printer bearing the ENERGY STAR® Emblem is certified to comply with EPA ENERGY STAR® requirements as configured when shipped by Dell. Any changes you make to this configuration (such as installing additional expansion cards or drives) may increase the printer's power consumption beyond the limits set by the EPA's ENERGY STAR® Computers program.

## ENERGY STAR® Emblem



The EPA's ENERGY STAR® Office Equipment program is a joint effort between the EPA and computer manufacturers to reduce air pollution by promoting energy-efficient computer products. The EPA estimates that use of ENERGY STAR® computer products can save computer users up to two billion dollars annually in electricity costs. In turn, this reduction in electricity usage can reduce emissions of carbon dioxide, the gas primarily responsible for the greenhouse effect, and sulfur dioxide and nitrogen oxides, the primary causes of acid rain.

You can also help reduce electricity usage and its side effects by turning off your computer when it is not in use for extended periods of time, particularly at night and on weekends.



# Appendix

- [Dell Technical Support Policy](#)
  - [Contacting Dell](#)
  - [Warranty and Return Policy](#)
- 

## Dell Technical Support Policy

Technician-assisted technical support requires the cooperation and participation of the customer in the troubleshooting process and provides for restoration of the operating system, software program and hardware drivers to the original default configuration as shipped from Dell, as well as the verification of appropriate functionality of the printer and all Dell-installed hardware. In addition to this technician assisted technical support, online technical support is available at Dell Support. Additional technical support options may be available for purchase.

Dell provides limited technical support for the printer and any Dell-installed software and peripherals. Support for third-party software and peripherals is provided by the original manufacturer, including those purchased and/or installed through Software & Peripherals (DellWare), ReadyWare, and Custom Factory Integration (CFI/DellPlus).

---

## Contacting Dell

You can access Dell Support at [support.dell.com](http://support.dell.com). Select your region on the WELCOME TO DELL SUPPORT page, and fill in the requested details to access help tools and information.

You can contact Dell electronically using the following addresses:

- **World Wide Web**  
[www.dell.com/](http://www.dell.com/)  
[www.dell.com/ap/](http://www.dell.com/ap/) (for Asian/Pacific countries only)  
[www.euro.dell.com](http://www.euro.dell.com) (for Europe only)  
[www.dell.com/la/](http://www.dell.com/la/) (for Latin American countries)
  - **Anonymous file transfer protocol (FTP)**  
[ftp.dell.com/](ftp://ftp.dell.com/)  
Log in as user: `anonymous`, and use your email address as your password.
  - **Electronic Support Service**  
[mobile\\_support@us.dell.com](mailto:mobile_support@us.dell.com)  
[support@us.dell.com](mailto:support@us.dell.com)  
[apsupport@dell.com](mailto:apsupport@dell.com) (for Asian/Pacific countries only)  
[support.euro.dell.com](mailto:support.euro.dell.com) (for Europe only)
  - **Electronic Quote Service**  
[sales@dell.com](mailto:sales@dell.com)  
[apmarketing@dell.com](mailto:apmarketing@dell.com) (for Asian/Pacific countries only)
  - **Electronic Information Service**  
[info@dell.com](mailto:info@dell.com)
- 

## Warranty and Return Policy

Dell Computer Corporation ("Dell") manufactures its hardware products from parts and components that are new or equivalent to new in accordance with industry-standard practices. For information about the Dell warranty for your printer, see the *Owner's Manual*.

